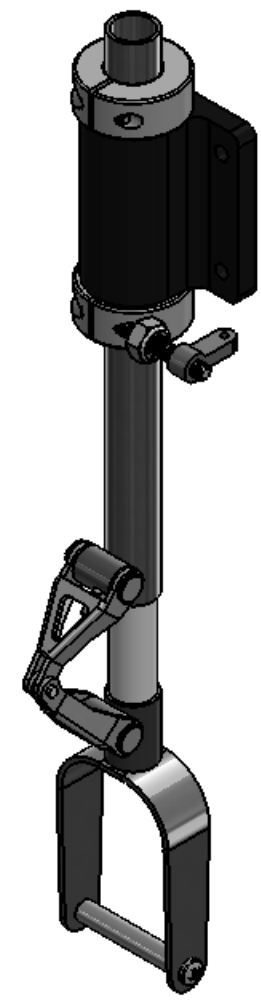
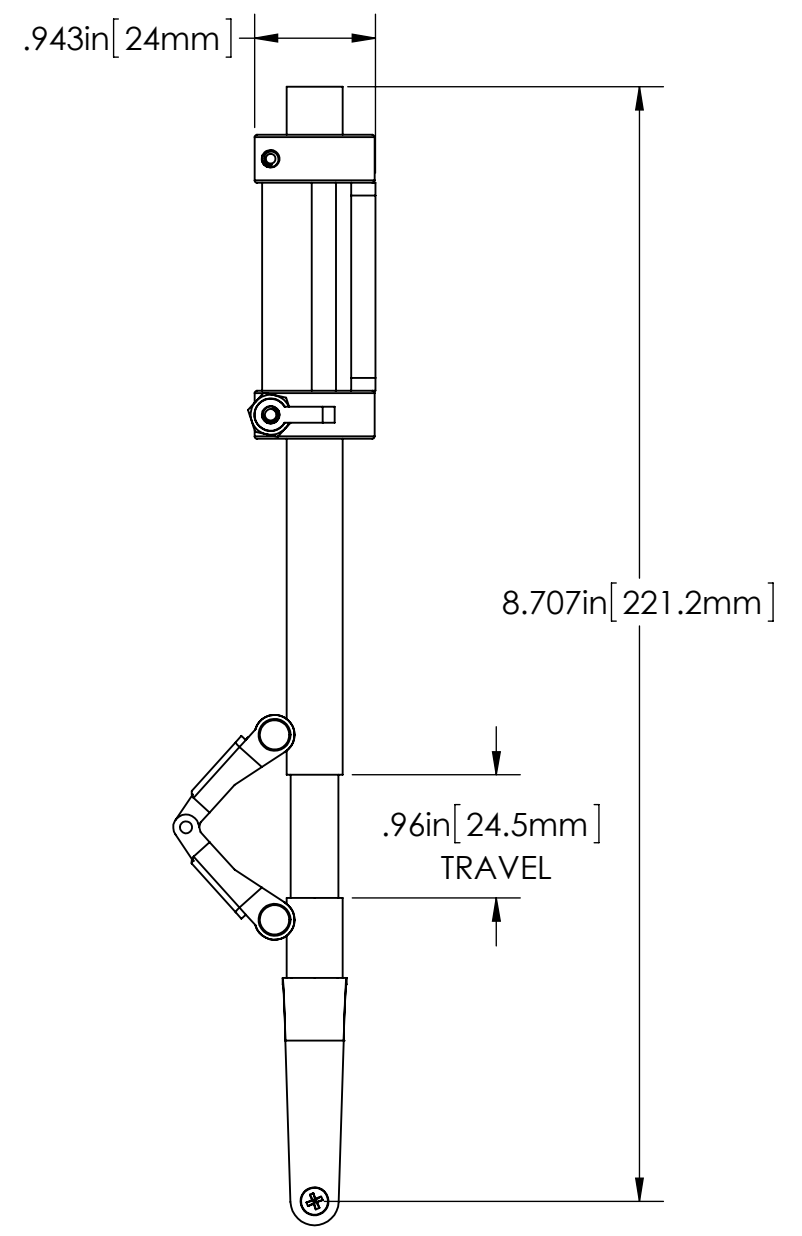
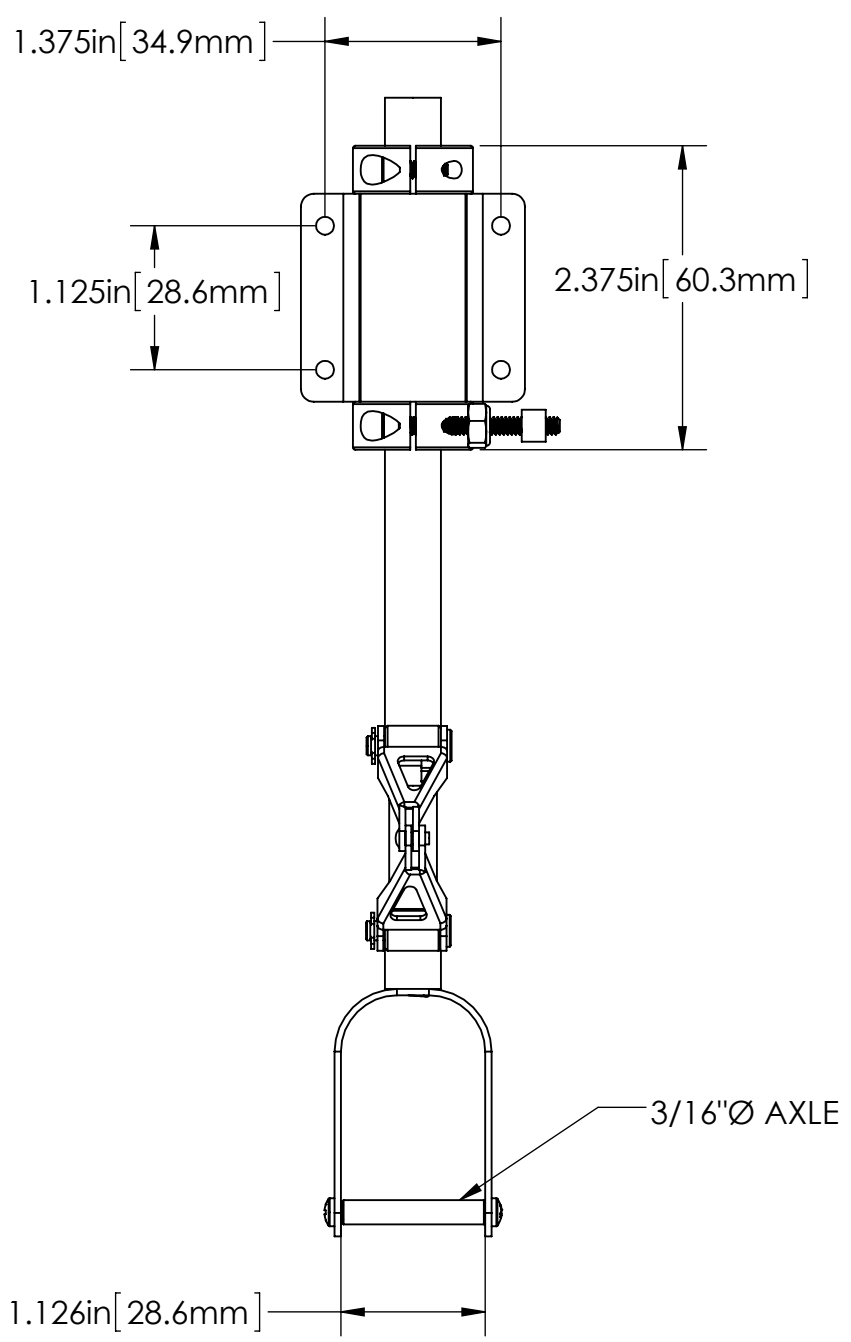


8 7 6 5 4 3 2 1

D
C
B
A



robar MFG. INC. 155 OSWALT AVE.
BATAVIA, IL 60510

TITLE:
FIXED STEERABLE NOSE STRUT

PROPRIETARY AND CONFIDENTIAL THE INFORMATION CONTAINED IN THIS DRAWING IS THE SOLE PROPERTY OF ROBAR MANUFACTURING. ANY REPRODUCTION IN PART OR AS A WHOLE WITHOUT THE WRITTEN PERMISSION OF ROBAR MANUFACTURING IS PROHIBITED.	UNLESS OTHERWISE SPECIFIED:		NAME	DATE
	DIMENSIONS ARE IN INCHES		DRAWN	B.METZ 10/5/2015
	TOLERANCES:		CHECKED	
	FRACTIONAL ± 1/32 ANGULAR: MACH ± 1° BEND ± 1° TWO PLACE DECIMAL ± 0.01 THREE PLACE DECIMAL ± 0.005 FOUR PLACE DECIMAL ± 0.0005		MFG APPR.	
		Q.A.		

SIZE	DWG. NO.	REV
B	664M	-
SCALE: 2:3	WEIGHT:	SHEET 1 OF 1

8 7 6 5 4 3 2 1