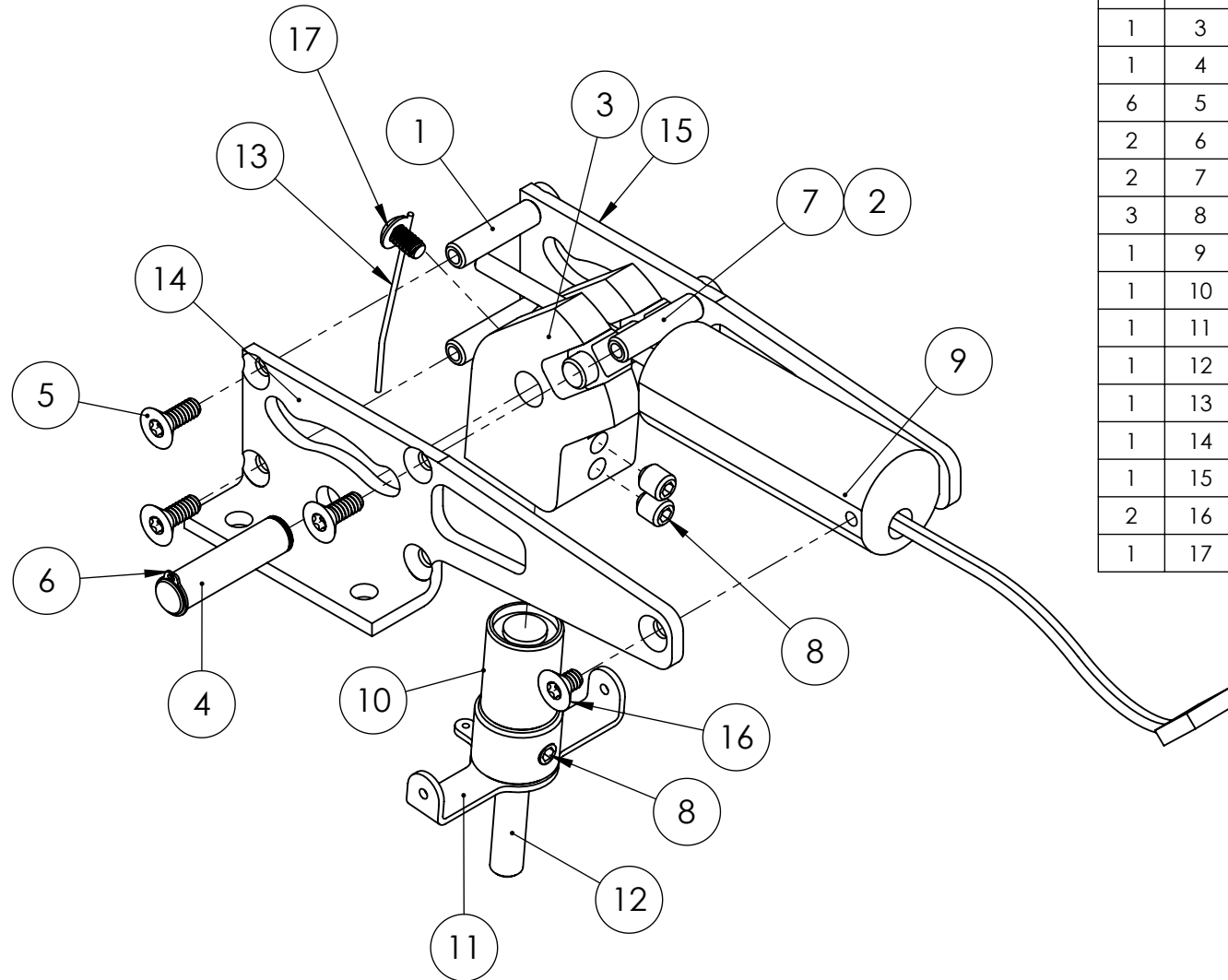


SPARE PARTS LIST

QTY.	ITEM NO.	DESCRIPTION	PART NUMBER
3	1	FRAME SPACER	530021M
1	2	CAM PIN	530029M
1	3	MAIN GEAR TRUNION	550001M
1	4	TRUNION PIN	530026M
6	5	4-40 X 5/16 TORX FMS ZINC	1065F
2	6	RETAINING RING	1125F
2	7	CAM FOLLOWER	530030M
3	8	#8-32 X 3/16" SET SCREW	1198F
1	9	ELECTRIC ACTUATOR	550E108P
1	10	STEERING BEARING	530032M
1	11	STEERING ARM ASSEMBLY	530125A
1	12	AXLE PIN	650010M
1	13	CENTERING SPRING	550230M
1	14	95 DEG FRAME - LH	550016M
1	15	95 DEG FRAME - RH	550017M
2	16	4-40 X 5/16 TORX FMS ZINC	1181F
1	17	#4-40 x 3/16" BHSMS	1022F



906-430M

PROPRIETARY AND CONFIDENTIAL
 THE INFORMATION CONTAINED IN THIS DRAWING IS THE SOLE PROPERTY OF ROBART MANUFACTURING. ANY REPRODUCTION IN PART OR AS A WHOLE WITHOUT THE WRITTEN PERMISSION OF ROBART MANUFACTURING IS PROHIBITED.

	NAME	DATE
DRAWN	J.REHAK	17JUN13
CHECKED		



155 OSWALT AVE.
 BATAVIA, IL. 60510
 PH: 630-584-7616
 FX: 630-584-3712

TITLE:

**ELECTRIC NOSE RETRACT
 95° RAIL MOUNT
 557RSE**

556RSESP

REV -