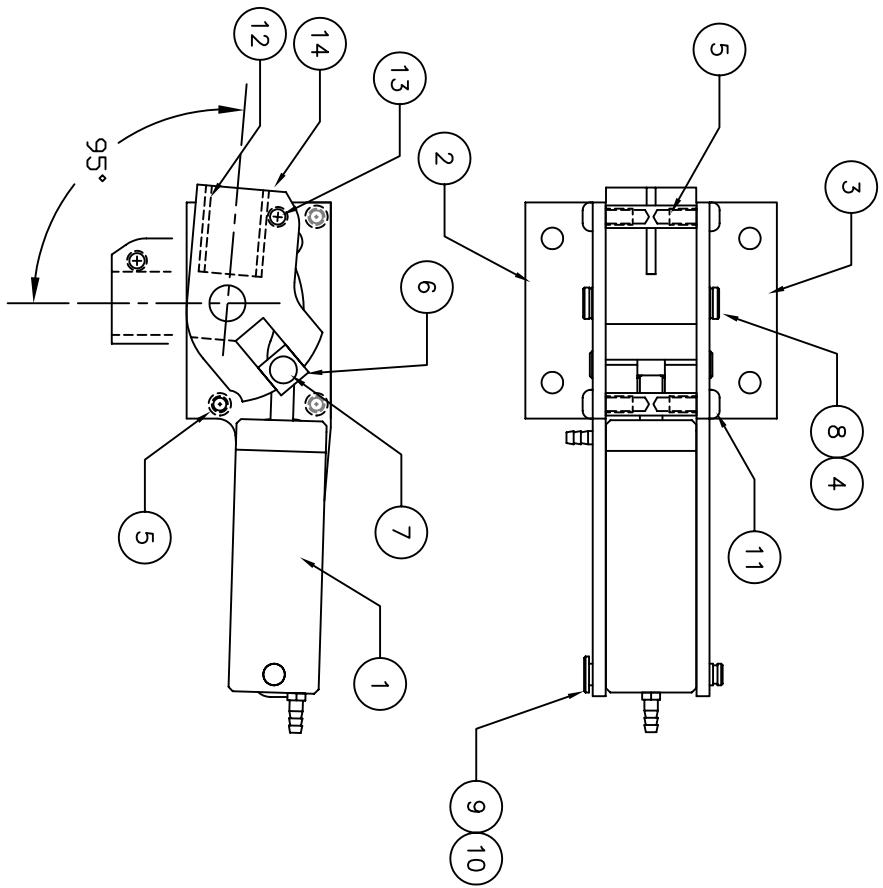


\*\* THIS IS YOUR SPARE PARTS LIST. SAVE FOR FUTURE REFERENCE, ORDER BY PART NUMBER. CURRENT PRICES WILL BE QUOTED.\*\*

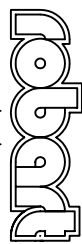
## SPARE PARTS LIST

QTY	ITEM	DESCRIPTION	ASSY/PART #
1	1	CYLINDER ASSEMBLY	530-120A
1	2	SIDE FRAME LH	530-008M
1	3	SIDE FRAME RH	530-009M
1	4	7/32 RETAINING RING	1125F
3	5	FRAME SPACER (BAR)	530-021M
2	6	CAM BLOCK	530-030M
1	7	CAM PIN	530-029M
1	8	PIVOT PIN	530-026M
1	9	CLEVIS PIN	150-012M
1	10	RETAINING RING	1039F
6	11	#4-40 x 1/4 PPHMS ZN	1047F
1	12	3/8" ROBOSTRUT ADAPTER	650-022M
1	13	#6-32 x 3/8 SHCS	1048F
1	14	TRUNION	530-022M



906-184M

FACTORY REPAIR FEE= \$25.00 PLUS PARTS

CHK'D BY			MFG. INC. 625 N. 12TH ST. ST. CHARLES, IL (630)584-7616
DRAWN BY	J. REHAK		
DATE	6/03	TITLE	SERIES 530 95 DEG. RETRACT ASSEMBLY
MODEL No.	533RS		