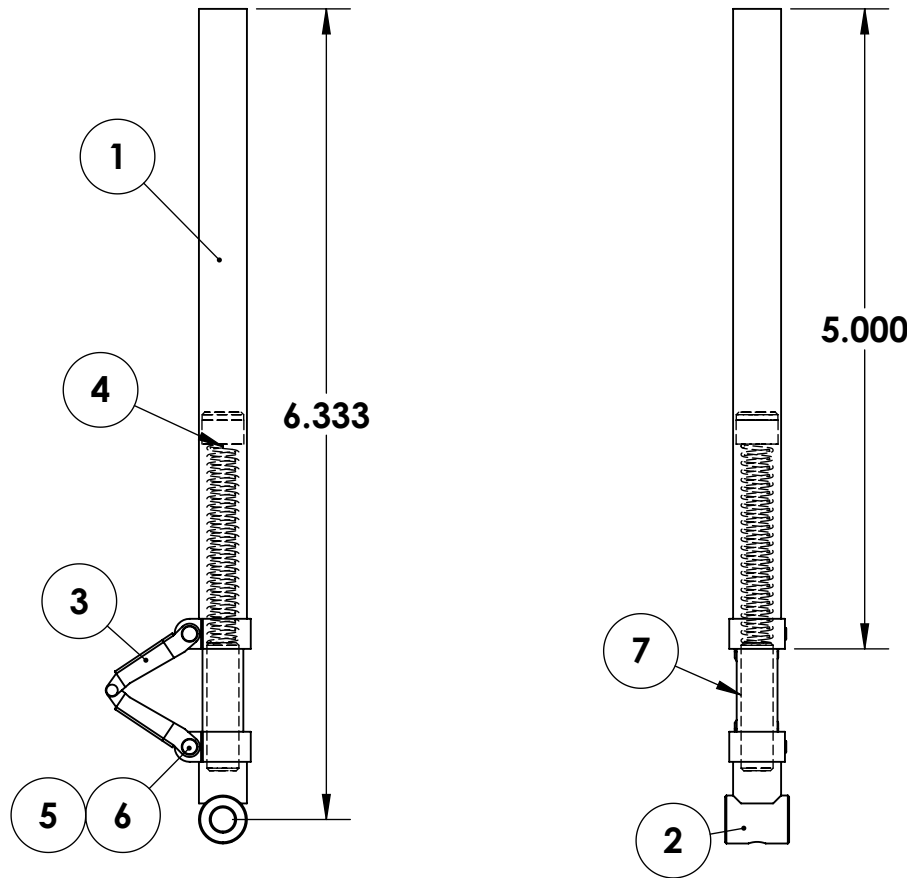


REVISIONS			
REV.	DESCRIPTION	DATE	APPROVED
F	DRAWN IN SOLIDWORKS	7/13/16	NM

BILL OF MATERIALS			
QTY.	ITEM NO.	DESCRIPTION	PART #
1	1	STRUT TUBE ASSEMBLY	650001A
1	2	OLEO RAM WELDMENT	650002A
1	3	TORQUE LINK ASSEMBLY	650003A
1	4	COMPRESSION SPRING	650038P
2	5	CLEVIS PIN	650014M
2	6	E CLIP	1062F
1	7	ALUMINUM PLUG	650004M



PARTS BAG - #650015A



MFG. INC. 155 OSWALT AVE.  
BATAVIA, IL 60510

TITLE:

**Ø 3/8" ROBOSTRUT  
STRAIGHT ASSEMBLY**

PROPRIETARY AND CONFIDENTIAL	UNLESS OTHERWISE SPECIFIED:	NAME	DATE	SIZE	DWG. NO.	REV	
THE INFORMATION CONTAINED IN THIS DRAWING IS THE SOLE PROPERTY OF ROBERT MANUFACTURING. ANY REPRODUCTION IN PART OR AS A WHOLE WITHOUT THE WRITTEN PERMISSION OF ROBERT MANUFACTURING IS PROHIBITED.	DIMENSIONS ARE IN INCHES TOLERANCES: FRACTIONAL ± 1/32 ANGULAR: MACH ±      BEND ± TWO PLACE DECIMAL    ±0.01 THREE PLACE DECIMAL ±0.005 FOUR PLACE DECIMAL ±0.0005	DRAWN	N.MARC	7/13/16	<b>A</b>	<b>650SP</b>	<b>F</b>
		CHECKED					
		MFG APPR.					
		Q.A.					
				SCALE: 2:3	SHEET 1 OF 1		

5

4

3

2

1