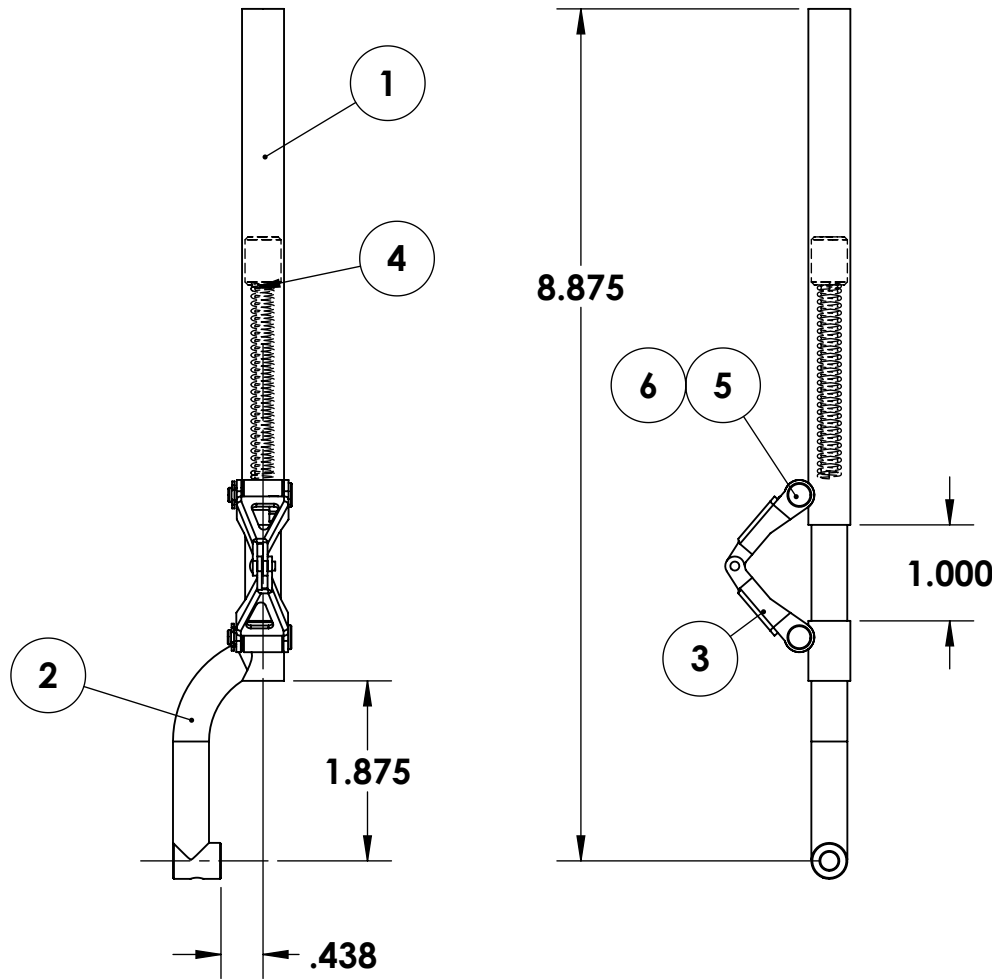


REVISIONS			
REV.	DESCRIPTION	DATE	APPROVED
E	DRAWN IN SOLIDWORKS	6/7/16	NM

BILL OF MATERIALS			
QTY.	ITEM NO.	DESCRIPTION	PART #
1	1	STRUT WELDMENT	660101A
1	2	OLEO RAM WELDMENT RH	662102A
1	3	TORQUE LINK ASSEMBLY	620112A
1	4	COMPRESSION SPRING	660006P
2	5	CLEVIS PIN	620012M
2	6	E-CLIP	1039F



PARTS BAG ASSEMBLY - #660015A



MFG. INC. 155 OSWALT AVE.
BATAVIA, IL 60510

TITLE:

ϕ 7/16" | 3 1/2" RH
OFFSET STRUT ASSEMBLY

PROPRIETARY AND CONFIDENTIAL	UNLESS OTHERWISE SPECIFIED:	NAME	DATE
THE INFORMATION CONTAINED IN THIS DRAWING IS THE SOLE PROPERTY OF ROBERT MANUFACTURING. ANY REPRODUCTION IN PART OR AS A WHOLE WITHOUT THE WRITTEN PERMISSION OF ROBERT MANUFACTURING IS PROHIBITED.	DIMENSIONS ARE IN INCHES	DRAWN	6/7/16
	TOLERANCES:	CHECKED	
	FRACTIONAL \pm 1/32	MFG APPR.	
	ANGULAR: MACH \pm BEND \pm	Q.A.	
	TWO PLACE DECIMAL \pm 0.01		
	THREE PLACE DECIMAL \pm 0.005		
	FOUR PLACE DECIMAL \pm 0.0005		

SIZE	DWG. NO.	REV
A	662R	E
SCALE: 1:2		SHEET 1 OF 1