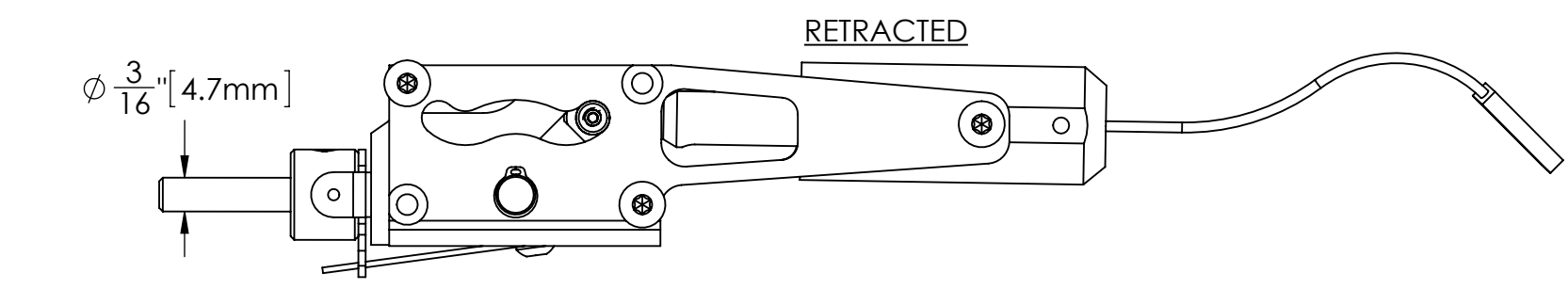
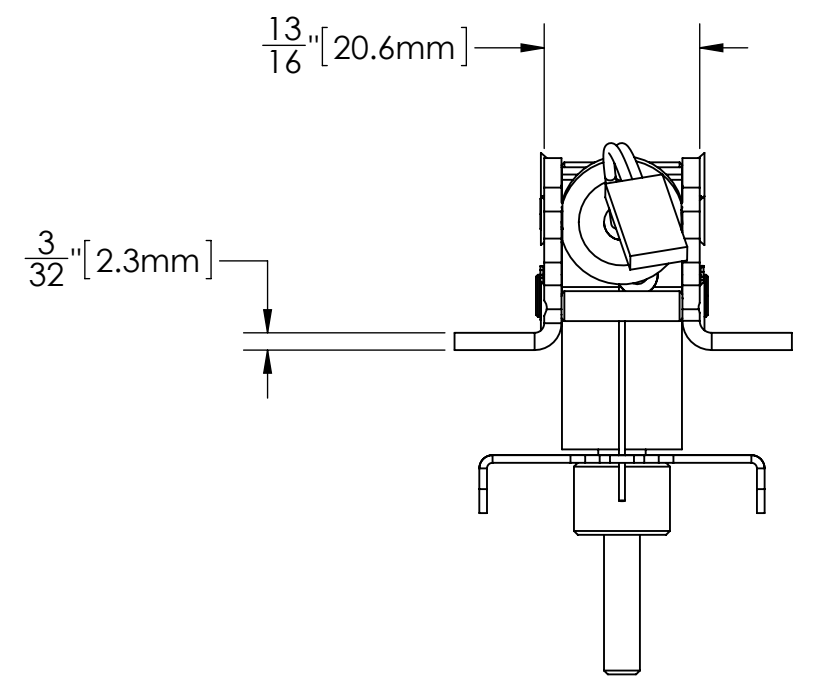
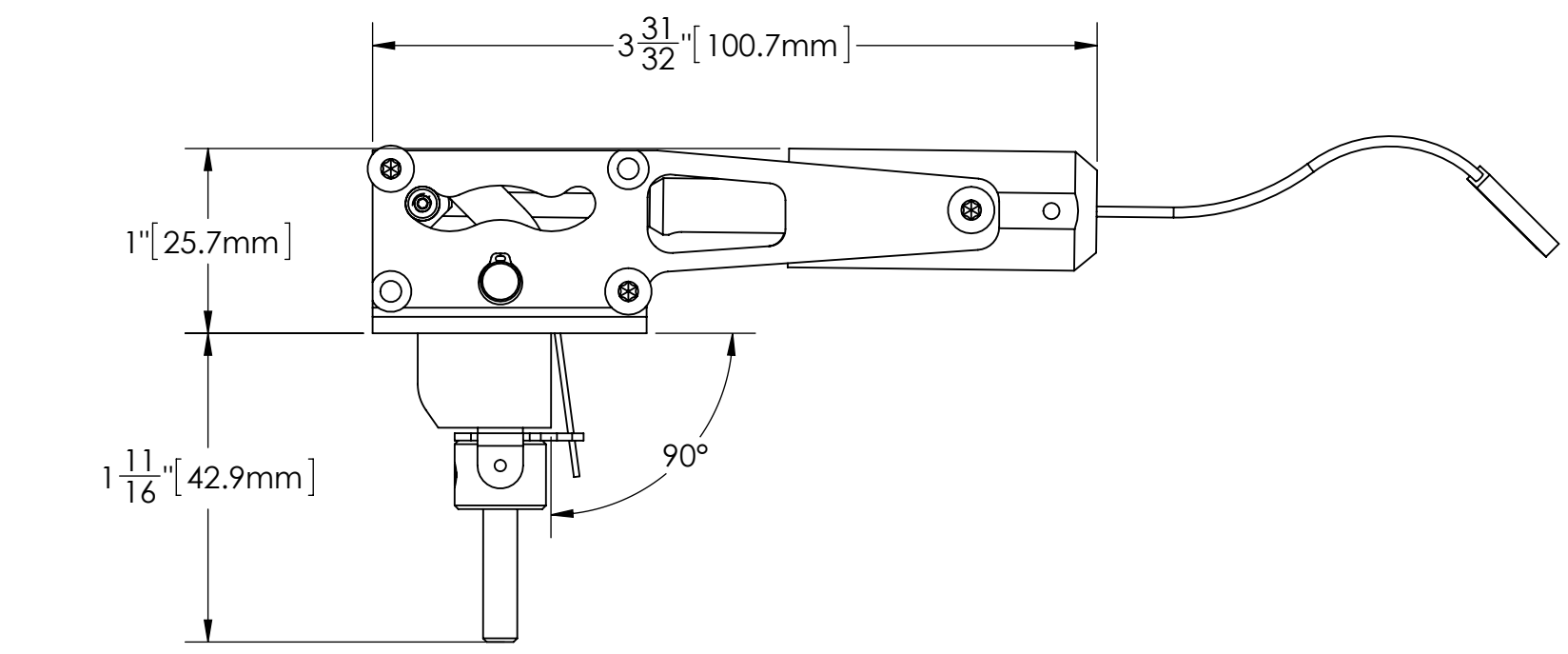
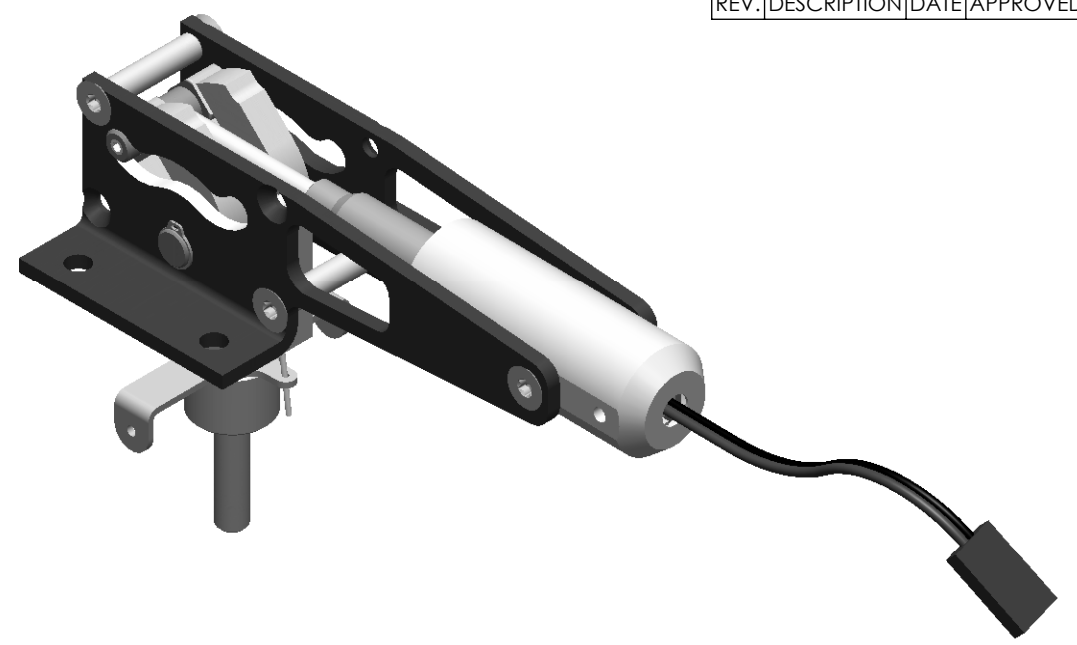
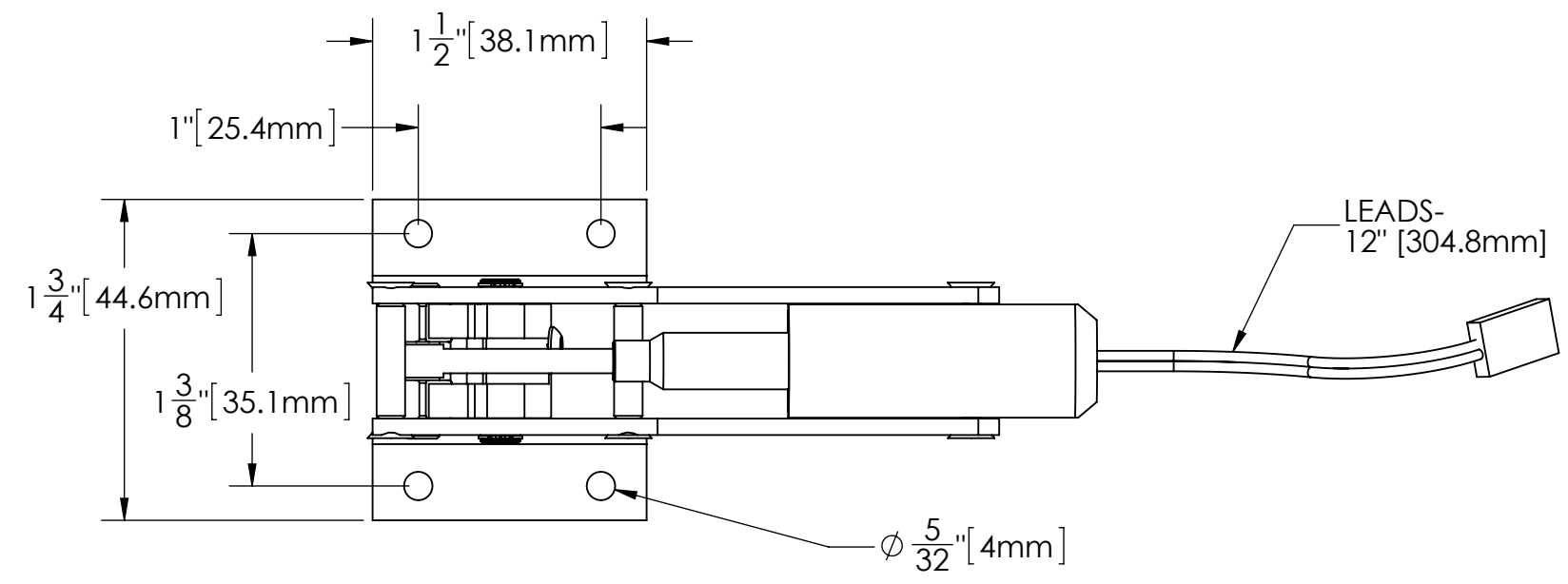


REVISIONS			
REV.	DESCRIPTION	DATE	APPROVED



UNITS:
INCH [mm]

ROBART MFG.		
TITLE:		
DIMENSIONAL DETAILS 541RSE		
SIZE	DWG. NO.	REV
B	541RSE DIM	-
SCALE: 1:1	WEIGHT:	SHEET 1 OF 1

PROPRIETARY AND CONFIDENTIAL THE INFORMATION CONTAINED IN THIS DRAWING IS THE SOLE PROPERTY OF ROBART MANUFACTURING. ANY REPRODUCTION IN PART OR AS A WHOLE WITHOUT THE WRITTEN PERMISSION OF ROBART MANUFACTURING IS PROHIBITED.	UNLESS OTHERWISE SPECIFIED:		NAME	DATE
	DIMENSIONS ARE IN INCHES	DRAWN	N.MARC	21JUL14
	TOLERANCES:	CHECKED		
	FRACTIONAL ± 1/32	MFG APPR.		
ANGULAR: MACH ± 1°	Q.A.			
TWO PLACE DECIMAL ± 0.01				
THREE PLACE DECIMAL ± 0.005				
FOUR PLACE DECIMAL ± 0.0005				