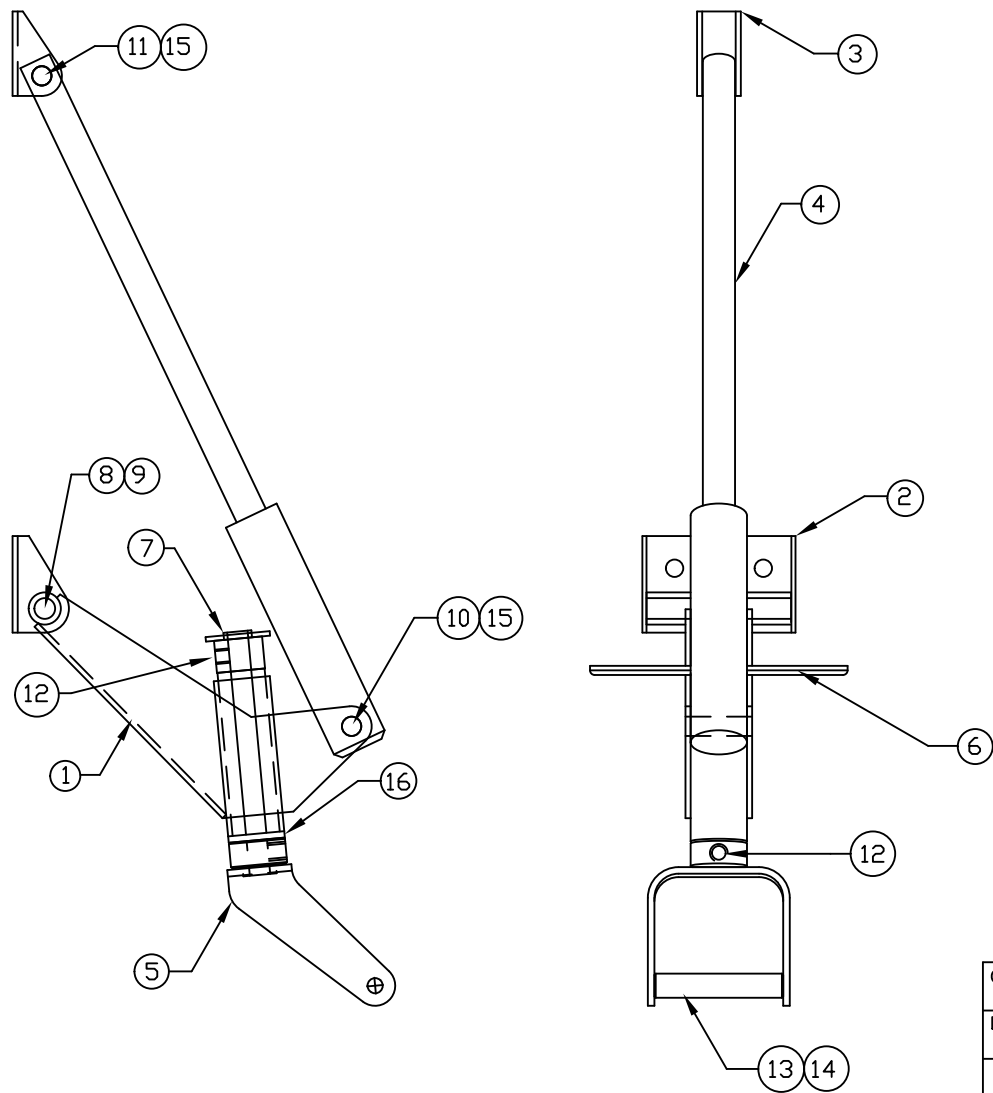



** THIS IS YOUR SPARE PARTS LIST. SAVE FOR FUTURE REFERENCE, ORDER BY PART NUMBER. CURRENT PRICES WILL BE QUOTED.**



SPARE PARTS LIST				
QTY	ITEM	NOTE	DESCRIPTION	ASS'Y/PART #
1	1		LOWER BRACE ASSEMBLY	BF4F-201A
1	2		LOWER MOUNT	PT17-424M
1	3		UPPER MOUNT	619-013M
1	4		SHOCK ASSEMBLY	BF4F-202A
1	5		YOKE ASSEMBLY	160-107A
1	6		STEERING ARM ASSEMBLY	BF4F-204A
1	7		STEERING SHAFT	160-010M
1	8		#8-32 x 1.500 SHCS	1141F
1	9		8-32 NYLOCK NUT	1124F
1	10		CLEVIS PIN	620-012M
1	11		CLEVIS PIN	150-018M
2	12		#6-32 SET SCREW	1060F
1	13		AXLE	160-020M
2	14		PPH #4-40 SCREW	1047F
2	15		RETAINING RING	1039F
1	16		STEERING SHAFT BUSHING	BF4F-215M

906-286M

FACTORY REPAIR FEE= \$25.00 PLUS PARTS

CHK'D BY	 MFG. INC. 625 N. 12TH ST. ST. CHARLES, IL (630)584-7616 www.robart.com
DRAWN BY J. REHAK	
DATE 4/06	TITLE BATES F4F TAIL WHEEL SPARE PARTS LIST
MODEL No. WILDCAT TAIL	