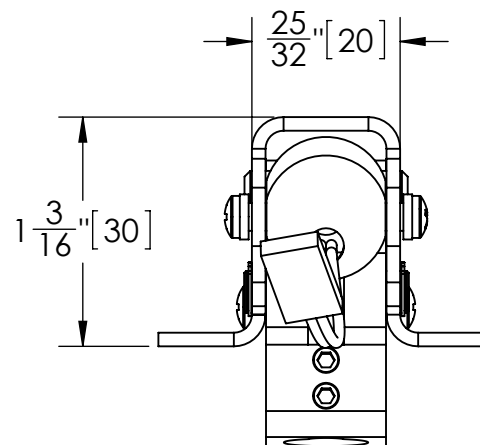
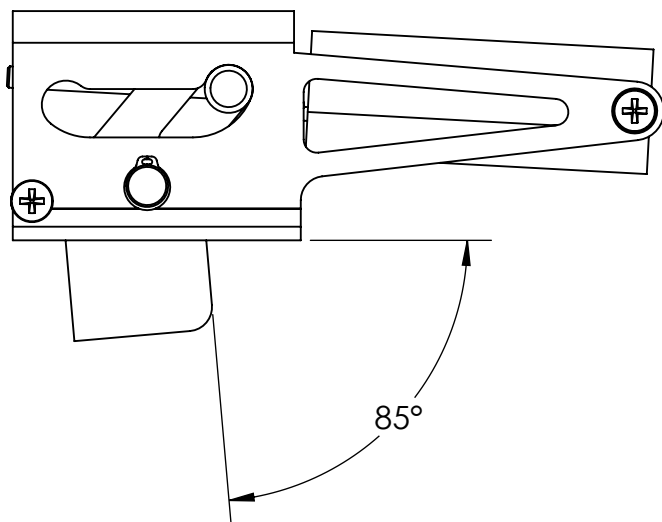
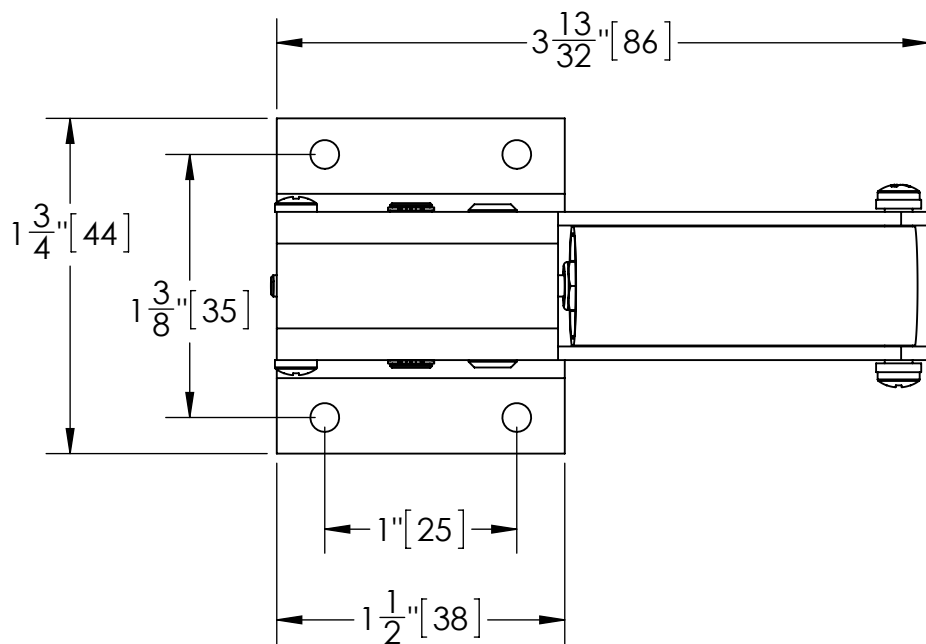


REVISIONS			
REV.	DESCRIPTION	DATE	APPROVED



ROBART MFG

TITLE:
**511 85° MAIN RETRACT
 DIM DETAILS**

PROPRIETARY AND CONFIDENTIAL	UNLESS OTHERWISE SPECIFIED:	NAME	DATE
THE INFORMATION CONTAINED IN THIS DRAWING IS THE SOLE PROPERTY OF ROBART MANUFACTURING. ANY REPRODUCTION IN PART OR AS A WHOLE WITHOUT THE WRITTEN PERMISSION OF ROBART MANUFACTURING IS PROHIBITED.	DIMENSIONS ARE IN INCHES	DRAWN	1JUL14
	TOLERANCES:	CHECKED	
	FRACTIONAL ± 1/32	MFG APPR.	
	ANGULAR: MACH ± BEND ±	Q.A.	
	TWO PLACE DECIMAL ±0.01		
	THREE PLACE DECIMAL ±0.005		
	FOUR PLACE DECIMAL ±0.0005		

SIZE	DWG. NO.	REV
A	511RSE DIM	
SCALE: 1:1		SHEET 1 OF 1