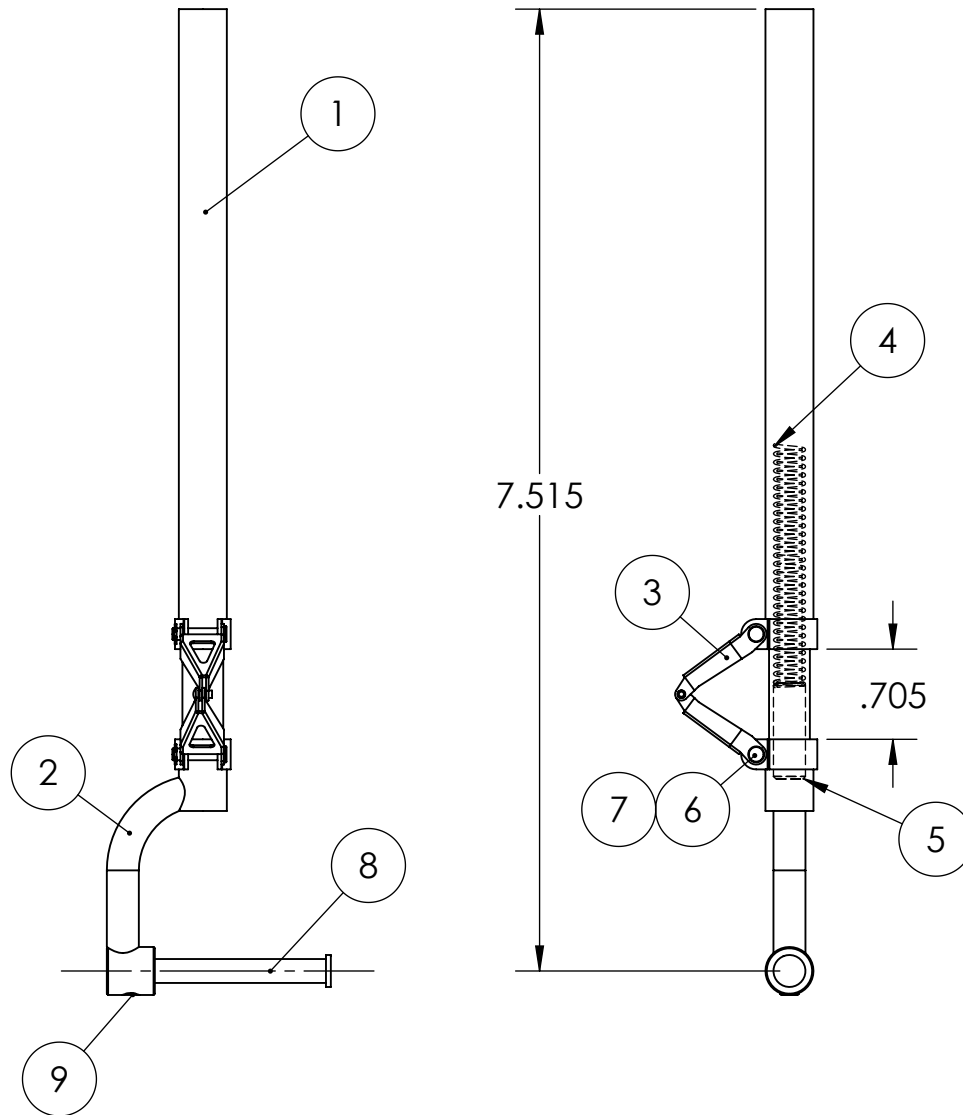


REVISIONS			
REV.	DESCRIPTION	DATE	APPROVED
C	DRAWN IN SOLIDWORKS	10/28/16	NM

BILL OF MATERIALS			
QTY.	ITEM NO.	DESCRIPTION	PART #
1	1	STRUT TUBE ASSEMBLY	650001A
1	2	OLEO RAM ASSEMBLY-RH	651002A
1	3	TORQUE LINK ASSEMBLY	650003A
1	4	COMPRESSION SPRING	650038P
1	5	STRUT PLUG - 3/4"	651001M
2	6	CLEVIS PIN	650014M
2	7	E CLIP	1062F
1	8	AXLE PIN	650010M
1	9	#8-32 x 1/8" SET SCREW	1142F



B3DFE439 Ž° (' "" # 3



MFG. INC. 155 OSWALT AVE.  
BATAVIA, IL 60510

TITLE:

RH  $\varnothing$  3/8" ROBOSTRUT  
OFFSET FOR 2-2 1/4"

<b>PROPRIETARY AND CONFIDENTIAL</b> THE INFORMATION CONTAINED IN THIS DRAWING IS THE SOLE PROPERTY OF ROBART MANUFACTURING. ANY REPRODUCTION IN PART OR AS A WHOLE WITHOUT THE WRITTEN PERMISSION OF ROBART MANUFACTURING IS PROHIBITED.	UNLESS OTHERWISE SPECIFIED: DIMENSIONS ARE IN INCHES TOLERANCES: FRACTIONAL $\pm$ 1/32 ANGULAR: MACH $\pm$ BEND $\pm$ TWO PLACE DECIMAL $\pm$ 0.01 THREE PLACE DECIMAL $\pm$ 0.005 FOUR PLACE DECIMAL $\pm$ 0.0005	DRAWN	N.MARC	10/28/16	SIZE <b>A</b>	DWG. NO. <b>651R</b>	REV <b>C</b>
		CHECKED					
		MFG APPR.			SCALE: 2:3	SHEET 1 OF 1	
		Q.A.					

5

4

3

2

1