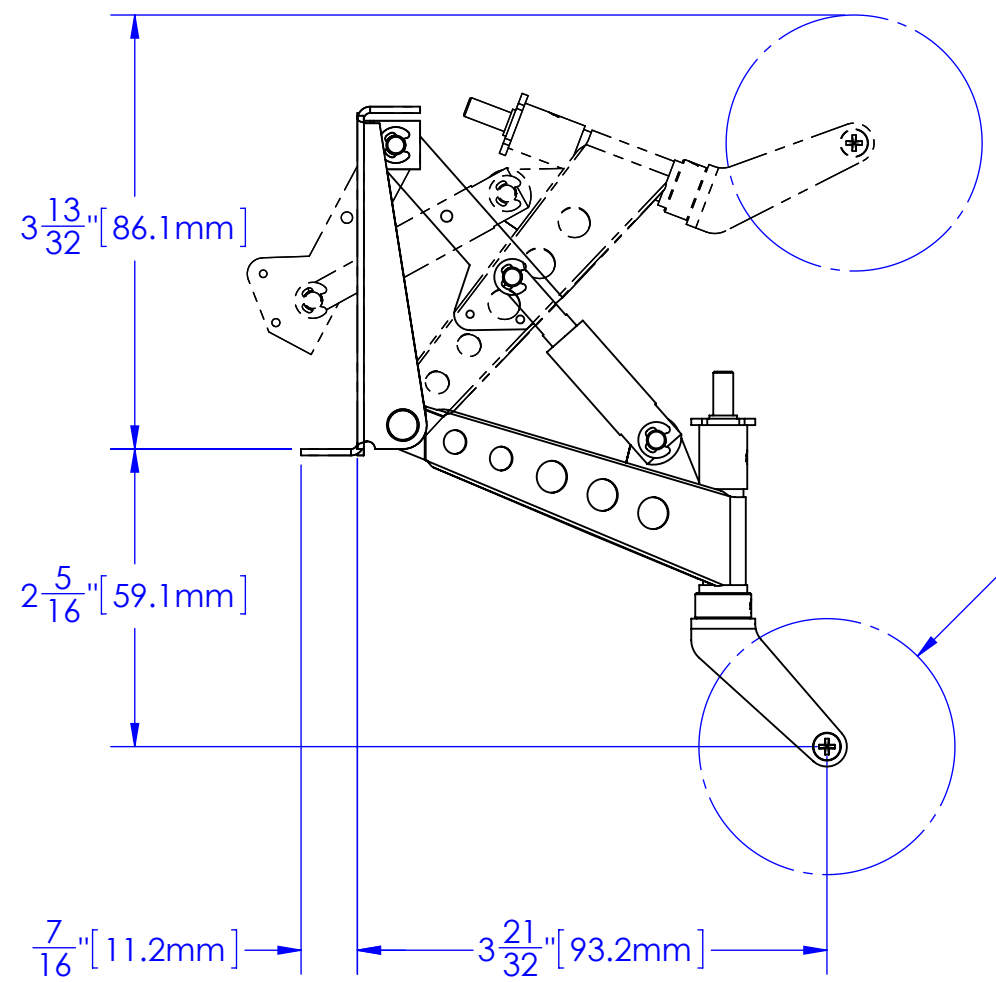
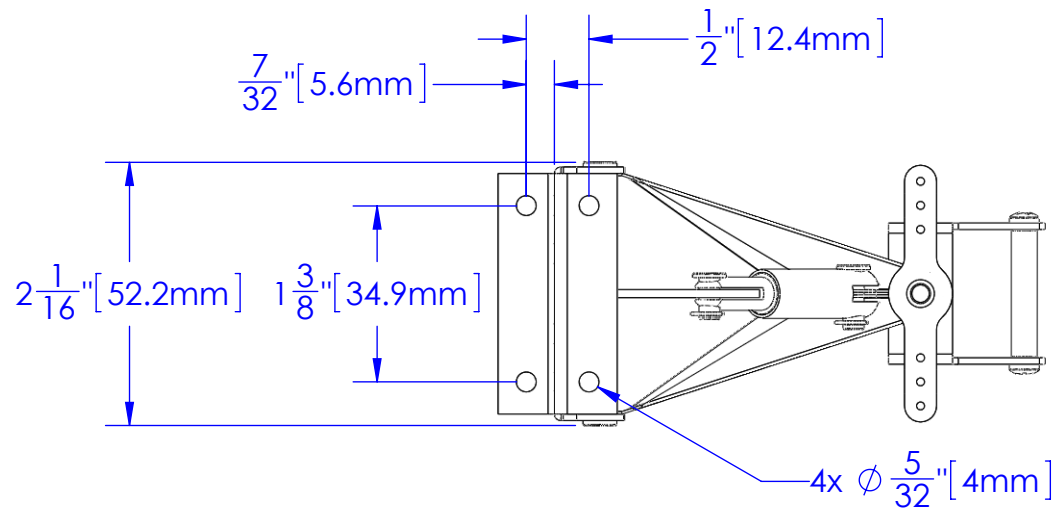
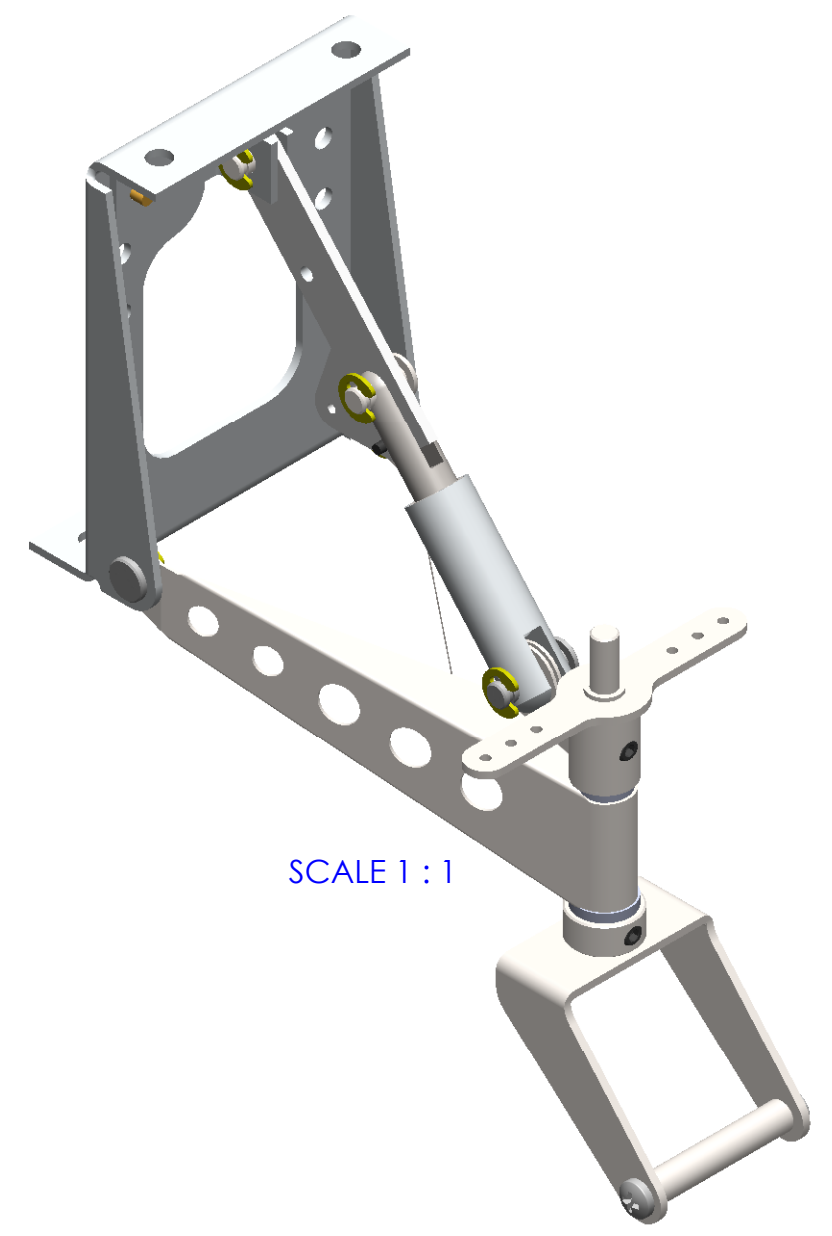


REVISIONS			
REV.	DESCRIPTION	DATE	APPROVED



Ø 2" [50.8mm]
WHEEL SHOWN

Ø 3/16" [4.8mm]



SCALE 1 : 1

UNITS:
INCH [mm]

PROPRIETARY AND CONFIDENTIAL THE INFORMATION CONTAINED IN THIS DRAWING IS THE SOLE PROPERTY OF ROBART MANUFACTURING. ANY REPRODUCTION IN PART OR AS A WHOLE WITHOUT THE WRITTEN PERMISSION OF ROBART MANUFACTURING IS PROHIBITED.	UNLESS OTHERWISE SPECIFIED: DIMENSIONS ARE IN INCHES TOLERANCES: FRACTIONAL ± 1/32 ANGULAR: MACH ± 1° BEND ± 1° TWO PLACE DECIMAL ± 0.01 THREE PLACE DECIMAL ± 0.005 FOUR PLACE DECIMAL ± 0.0005	DRAWN	N.MARC	DATE	16SEP14
		CHECKED			
		MFG APPR.			
		Q.A.			
ROBART MFG.		TITLE: DIMENSIONAL DETAILS 160 TAIL WHEEL			
SIZE	DWG. NO.	REV			
B	160 DIM	-			
SCALE: 1:2		WEIGHT:		SHEET 1 OF 1	