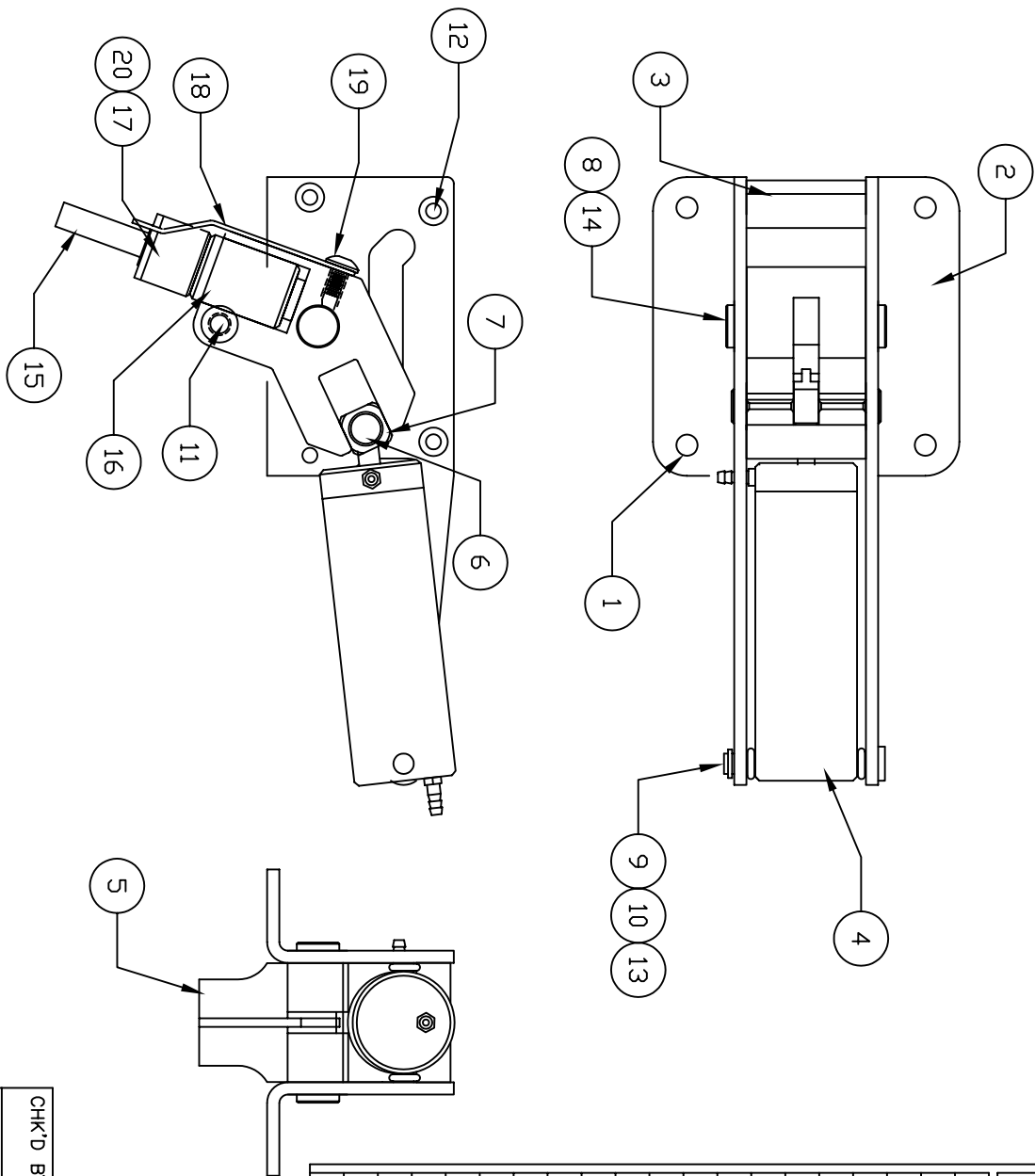


\*\* THIS IS YOUR SPARE PARTS LIST. SAVE FOR FUTURE REFERENCE, ORDER BY PART NUMBER. CURRENT PRICES WILL BE QUOTED.\*\*

## SPARE PARTS LIST

QTY	ITEM	DESCRIPTION	ASSY/PART #
1	1	SIDE FRAME (LH)	630-052M
1	2	SIDE FRAME (RH)	630-053M
3	3	FRAME SPACER	635-008M
1	4	CYLINDER ASSEMBLY	635-108A
1	5	TRUNION	635-002M
1	6	CAM PIN	635-006M
2	7	CAM FOLLOWER	635-007M
2	8	TRUNION PIN CLIP	1132F
1	9	CLEVIS PIN	635-009M
2	10	RETAINING RING	1039F
1	11	CLAMP SCREW	1110F
6	12	FRAME SCREW	1047F
2	13	D-RING	204-006P
1	14	TRUNION PIN	635-010M
1	15	PIVOT AXLE	145-133M
1	16	STEERING SHAFT BEARING	WB25-211M
1	17	STEERING ARM ASSEMBLY	WB25-204A
1	18	STEERING SPRING	630-021M
1	19	#8-32 x 1/4 BHCS	1133F
1	20	#8-32 x 3/16 KCPSS	1198F



906-274M

FACTORY REPAIR FEE= \$25.00 PLUS PARTS

CHK'D BY		MFG. INC.
DRAWN BY	J. REHAK	625 N. 12TH ST.
DATE	11/04	ST. CHARLES, IL
MODEL No.	641HDRS	(630)584-7616
TITLE		110° RETRACT MECHANISM
		HEAVY DUTY NOSE GEAR
		FOR 1/2" DIA. STRUT



www.robart.com