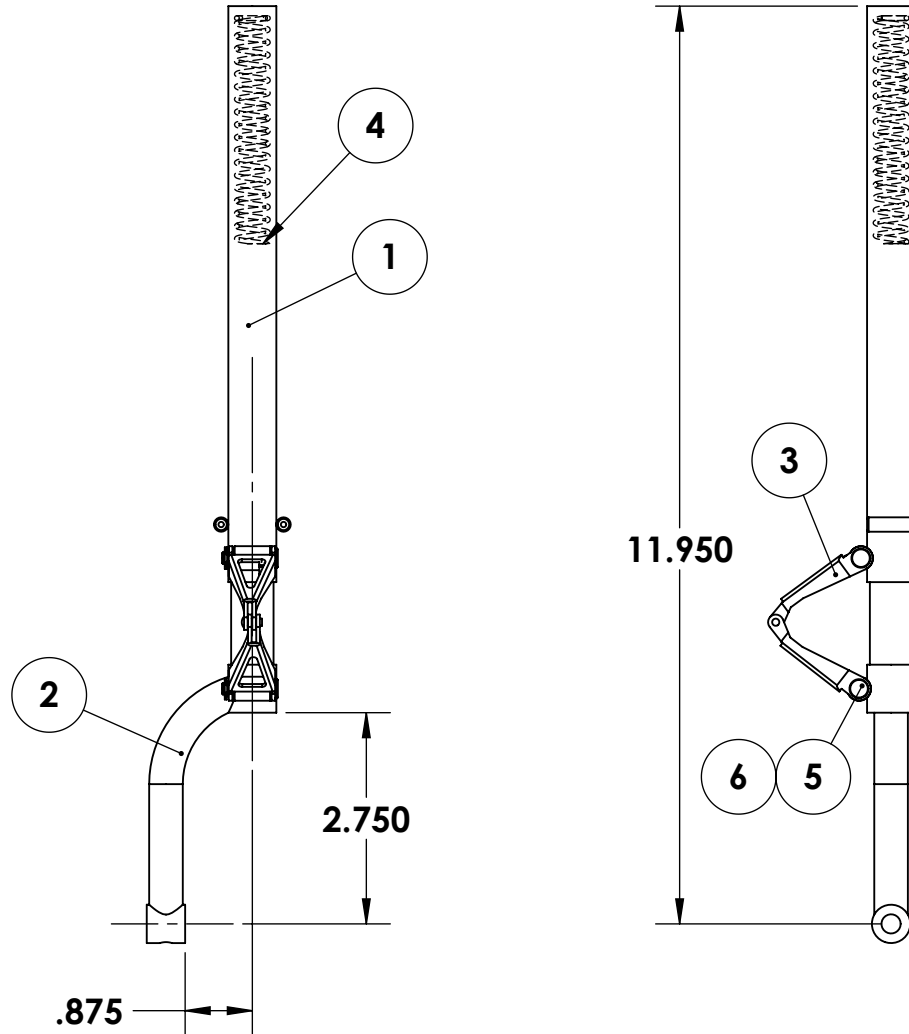


REVISIONS			
REV.	DESCRIPTION	DATE	APPROVED
A	DRAWN IN SOLIDWORKS	6/8/16	NM

BILL OF MATERIALS			
QTY.	ITEM NO.	DESCRIPTION	PART #
1	1	UPPER STRUT WELDMENT	145223A
1	2	OLEO RAM WELDMENT (RH)	145125A
1	3	TORQUE LINK ASSEMBLY	150107A
1	4	COMPRESSION SPRING	151019P
2	5	CLEVIS PIN	150002M
2	6	E-CLIP	1039F



AXLE BAG ASSEMBLY - #680142A

robart MFG. INC. 155 OSWALT AVE.
BATAVIA, IL 60510

TITLE:
**5/8" RIGHT HAND
STRUT ASSEMBLY**

PROPRIETARY AND CONFIDENTIAL	UNLESS OTHERWISE SPECIFIED:	NAME	DATE
THE INFORMATION CONTAINED IN THIS DRAWING IS THE SOLE PROPERTY OF ROBERT MANUFACTURING. ANY REPRODUCTION IN PART OR AS A WHOLE WITHOUT THE WRITTEN PERMISSION OF ROBERT MANUFACTURING IS PROHIBITED.	DIMENSIONS ARE IN INCHES	DRAWN	6/8/16
	TOLERANCES:	CHECKED	
	FRACTIONAL $\pm 1/32$	MFG APPR.	
	ANGULAR: MACH \pm BEND \pm	Q.A.	
	TWO PLACE DECIMAL ± 0.01		
	THREE PLACE DECIMAL ± 0.005		
	FOUR PLACE DECIMAL ± 0.0005		

SIZE	DWG. NO.	REV
A	681R	A
SCALE: 2:5		SHEET 1 OF 1

5

4

3

2

1