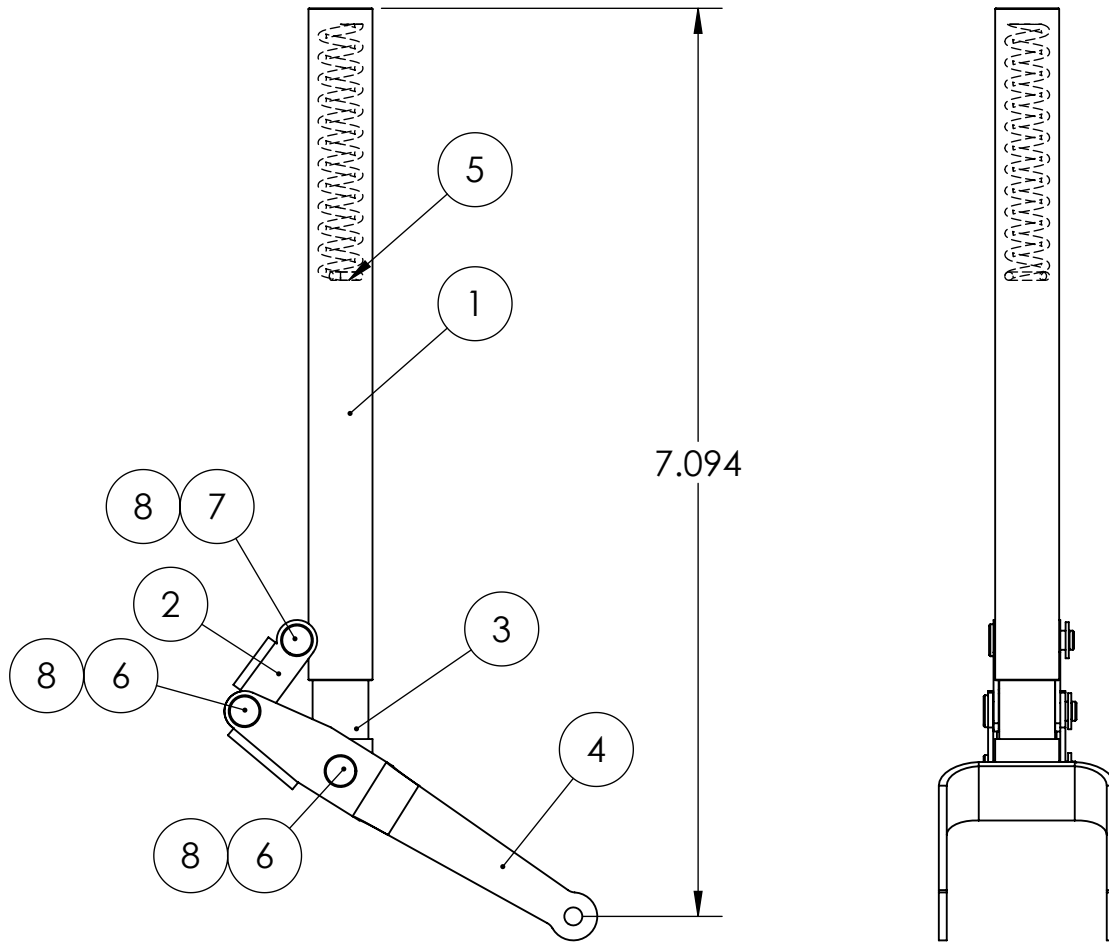


REVISIONS			
REV.	DESCRIPTION	DATE	APPROVED
A	DRAWN IN SOLIDWORKS	10/25/16	NM

BILL OF MATERIALS			
QTY.	ITEM NO.	DESCRIPTION	PART #
1	1	UPPER STRUT WELDMENT	622115A
1	2	CONNECTING LINK	667103A
1	3	OLEO RAM WELDMENT	677106A
1	4	LOWER YOKE LINK	677105A
1	5	HEAVY DUTY SPRING	150065P
2	6	CLEVIS PIN	150002M
1	7	CLEVIS PIN	620012M
3	8	E-CLIP	1039F



USE 6 1/2" LONG SPRING
MAXIMUM 3.5" WHEEL

AXLE BAG ASSEMBLY - #674142A

robart MFG. INC. 155 OSWALT AVE.
BATAVIA, IL 60510

TITLE:
 ϕ 1/2" YOKE STRUT
ASSEMBLY TRAILING LINK

PROPRIETARY AND CONFIDENTIAL THE INFORMATION CONTAINED IN THIS DRAWING IS THE SOLE PROPERTY OF ROBART MANUFACTURING. ANY REPRODUCTION IN PART OR AS A WHOLE WITHOUT THE WRITTEN PERMISSION OF ROBART MANUFACTURING IS PROHIBITED.	UNLESS OTHERWISE SPECIFIED:		NAME	DATE	SIZE A	DWG. NO. 678	REV A	
	DIMENSIONS ARE IN INCHES		DRAWN	N.MARC				10/25/16
	TOLERANCES:		CHECKED					
	FRACTIONAL \pm 1/32 ANGULAR: MACH \pm BEND \pm TWO PLACE DECIMAL \pm 0.01 THREE PLACE DECIMAL \pm 0.005 FOUR PLACE DECIMAL \pm 0.0005		MFG APPR.					
			Q.A.		SCALE: 2:3		SHEET 1 OF 1	