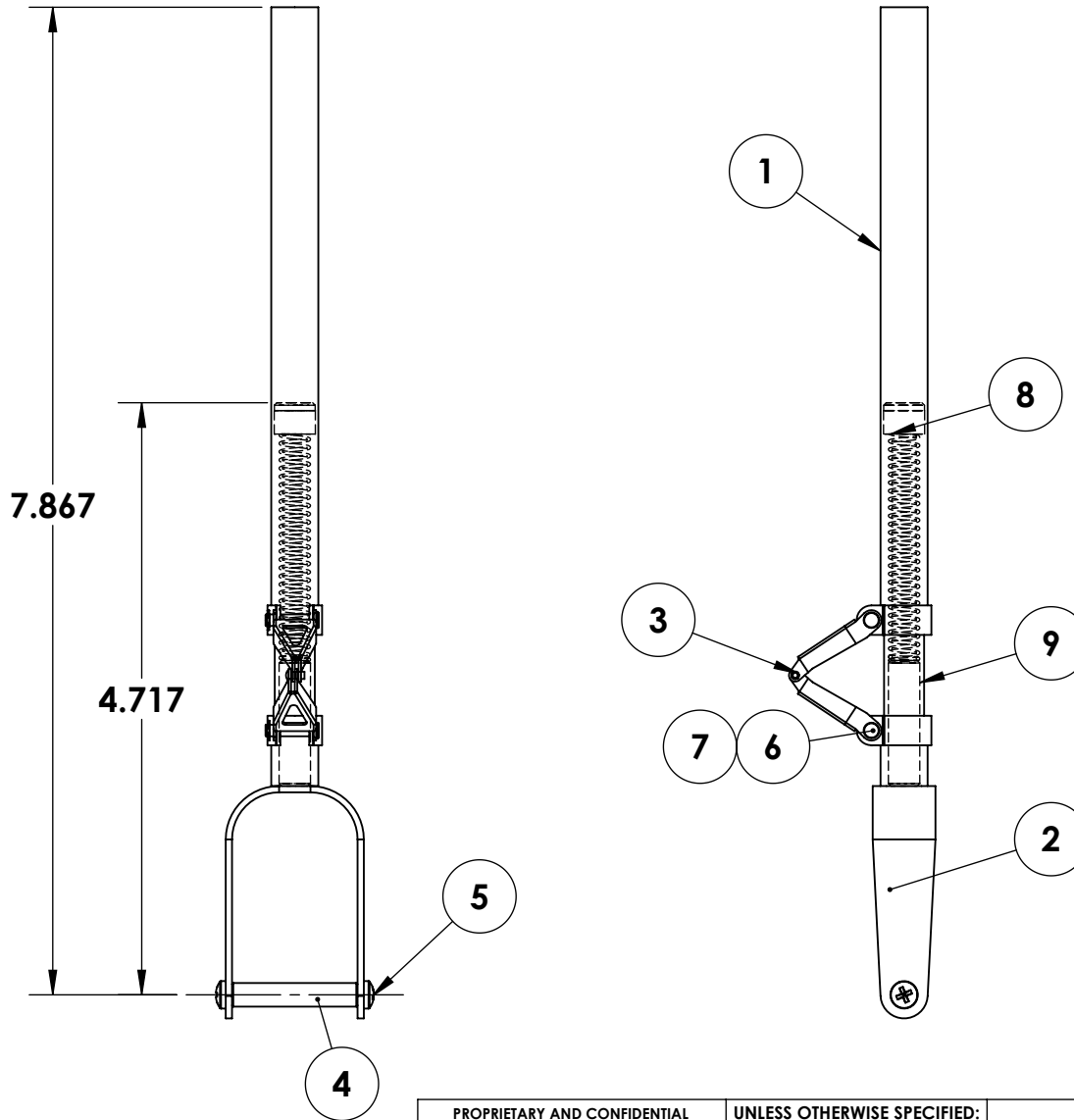


REVISIONS			
REV.	DESCRIPTION	DATE	APPROVED
A	DRAWN IN SOLIDWORKS	10/20/15	NM

BILL OF MATERIALS			
QTY.	ITEM NO.	DESCRIPTION	PART #
1	1	STRUT TUBE ASSEMBLY	650001A
1	2	OLEO RAM ASSEMBLY	654102A
1	3	TORQUE LINK ASSEMBLY	650003A
1	4	AXLE	160020M
2	5	#4-40 X 1/4" BHMS	1047F
2	6	CLEVIS PIN	650014M
2	7	E CLIP	1062F
1	8	COMPRESSION SPRING	650038P
1	9	ALUMINUM PLUG	650004M



PARTS BAG - #656103A



MFG. INC. 155 OSWALT AVE.
BATAVIA, IL 60510

TITLE:

ROBOSTRUT NOSE GEAR STRUT

PROPRIETARY AND CONFIDENTIAL	UNLESS OTHERWISE SPECIFIED:	NAME	DATE
THE INFORMATION CONTAINED IN THIS DRAWING IS THE SOLE PROPERTY OF ROBART MANUFACTURING. ANY REPRODUCTION IN PART OR AS A WHOLE WITHOUT THE WRITTEN PERMISSION OF ROBART MANUFACTURING IS PROHIBITED.	DIMENSIONS ARE IN INCHES	DRAWN	N.MARC 10/20/15
	TOLERANCES:	CHECKED	
	FRACTIONAL $\pm 1/32$	MFG APPR.	
	ANGULAR: MACH \pm BEND \pm	Q.A.	
	TWO PLACE DECIMAL ± 0.01		
	THREE PLACE DECIMAL ± 0.005		
	FOUR PLACE DECIMAL ± 0.0005		

SIZE	DWG. NO.	REV
A	656	A
SCALE: 2:3		SHEET 1 OF 1