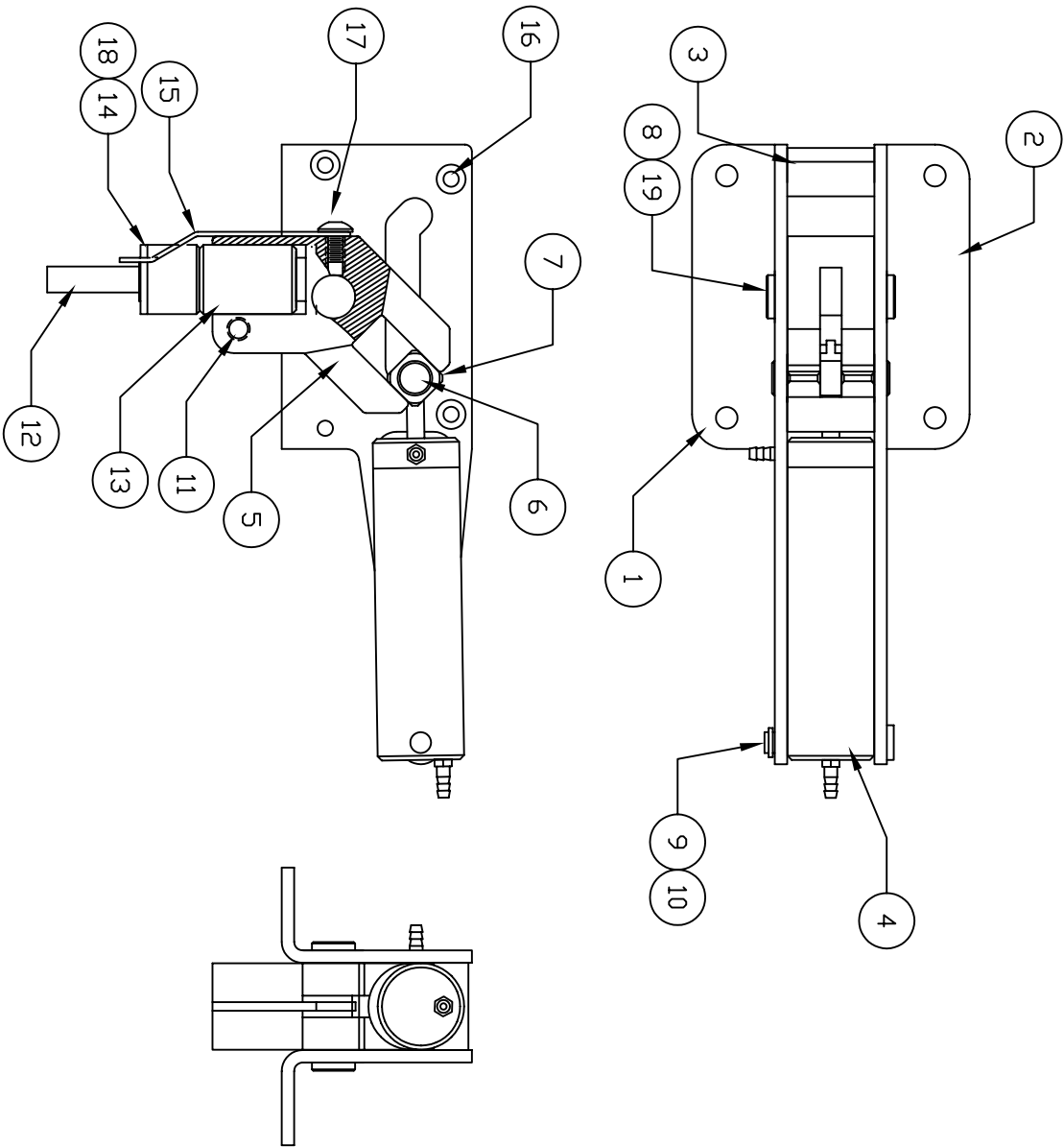


\*\* THIS IS YOUR SPARE PARTS LIST. SAVE FOR FUTURE REFERENCE, ORDER BY PART NUMBER. CURRENT PRICES WILL BE QUOTED.\*\*

## SPARE PARTS LIST

| QTY | ITEM | DESCRIPTION            | ASS'Y/PART # |
|-----|------|------------------------|--------------|
| 1   | 1    | SIDE FRAME (LH)        | 630-001M     |
| 1   | 2    | SIDE FRAME (RH)        | 630-002M     |
| 3   | 3    | FRAME SPACER           | 630-005M     |
| 1   | 4    | CYLINDER ASSEMBLY      | 630-102A     |
| 1   | 5    | TRUNION                | 630-023M     |
| 1   | 6    | CAM PIN                | 630-012M     |
| 2   | 7    | CAM FOLLOWER           | 630-011M     |
| 1   | 8    | TRUNION PIN            | 630-333M     |
| 1   | 9    | CLEVIS PIN             | 150-012M     |
| 1   | 10   | RETAINING RING         | 1039F        |
| 1   | 11   | CLAMP SCREW            | 1110F        |
| 1   | 12   | PIVOT AXLE             | 650-010M     |
| 1   | 13   | STEERING SHAFT BEARING | 630-025M     |
| 1   | 14   | STEERING ARM ASSEMBLY  | 630-106A     |
| 1   | 15   | STEERING SPRING        | 630-021M     |
| 6   | 16   | #4-40 x 1/4" PPHMS     | 1047F        |
| 1   | 17   | #6-32 x 1/4 BHCS       | 1020F        |
| 1   | 18   | #10-32 x 3/16 KCPSS    | 1077F        |
| 2   | 19   | TRUNION PIN CLIP       | 1032F        |
|     | 20   |                        |              |



906-209M

FACTORY REPAIR FEE= \$25.00 PLUS PARTS

|                               |          |                      |
|-------------------------------|----------|----------------------|
| CHK'D BY                      |          | MFG. INC.            |
| DRAWN BY                      | J. REHAK | 625 N. 12TH ST.      |
| DATE                          | 3/04     | ST. CHARLES, IL      |
| MODEL No.                     | 638RS    | (630)584-7616        |
| www.robart.com                |          |                      |
| TITLE                         |          | 90° STEEABLE RETRACT |
| MECHANISM FOR 1/2" DIA. STRUT |          |                      |