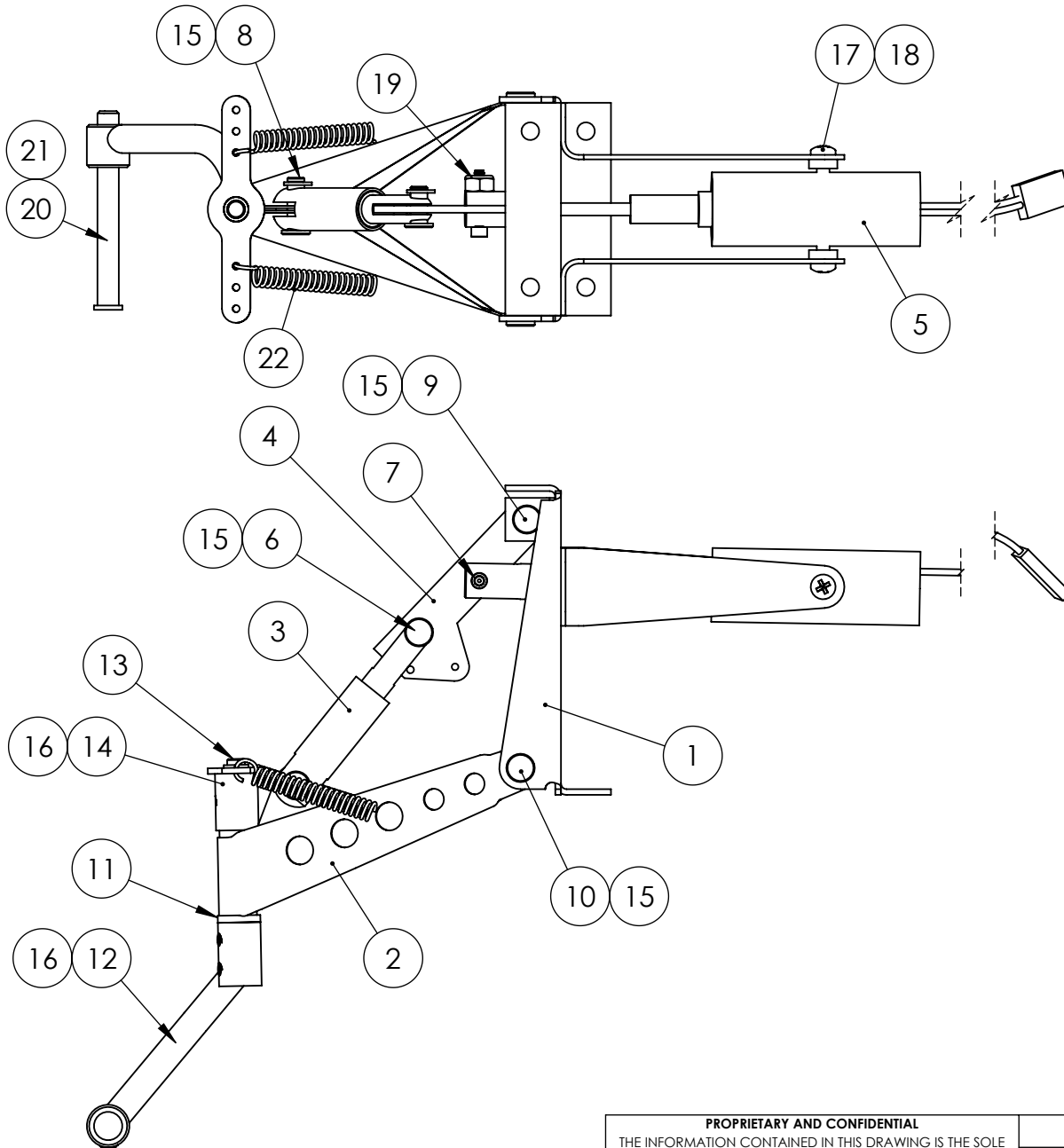


REVISIONS			
REV.	DESCRIPTION	DATE	APPROVED
-	ORIGINAL RELEASE	03APR12	JR



SPARE PARTS LIST			
QTY.	ITEM NO.	DESCRIPTION	PART NUMBER
1	1	MOUNTING FRAME ASSEMBLY	160601A
1	2	YOKE FRAME ASSEMBLY	160105A
1	3	PLUNGER ASSEMBLY	160103A
1	4	LINK ASSEMBLY	160602A
1	5	ACTUATOR	160E108A
1	6	CLEVIS PIN	160014M
1	7	#2-56 x 1/2 SHCS	1055F
1	8	CLEVIS PIN	150018M
1	9	CLEVIS PIN	160013M
2	10	CLEVIS PIN	150033M
1	11	SHAFT BEARING	160008M
1	12	OFFSET STRUT ASSEMBLY	160501A
1	13	PIVOT POST	160010M
1	14	STEERING ARM ASSEMBLY	160104A
5	15	E-CLIP	1039F
3	16	SET SCREW 6-32 X 1/8"	1060F
2	17	#4-40 X 1/4" BHMS	1047F
2	18	ALUMINUM SPACER	148E008M
1	19	#2-56 STD LOCK NUT	1153F
1	20	AXLE PIN	650010M
1	21	#8-32 x 1/8" SET SCREW	1142F
2	22	CENTERING SPRING	158001P

906-500M

**PROPRIETARY AND CONFIDENTIAL**  
 THE INFORMATION CONTAINED IN THIS DRAWING IS THE SOLE PROPERTY OF ROBART MANUFACTURING. ANY REPRODUCTION IN PART OR AS A WHOLE WITHOUT THE WRITTEN PERMISSION OF ROBART MANUFACTURING IS PROHIBITED.

	NAME	DATE
DRAWN	J.REHAK	4/12
CHECKED		

**robart** 155 OSWALT AVE.  
 BATAVIA, IL 60510  
 PH: 630-584-7616 FX:  
 630-584-3712  
[www.robart.com](http://www.robart.com)

TITLE: **ELECTRIC TAIL GEAR  
 LH OFFSET  
 SPARE PARTS LIST**

**160LWCESP** REV -