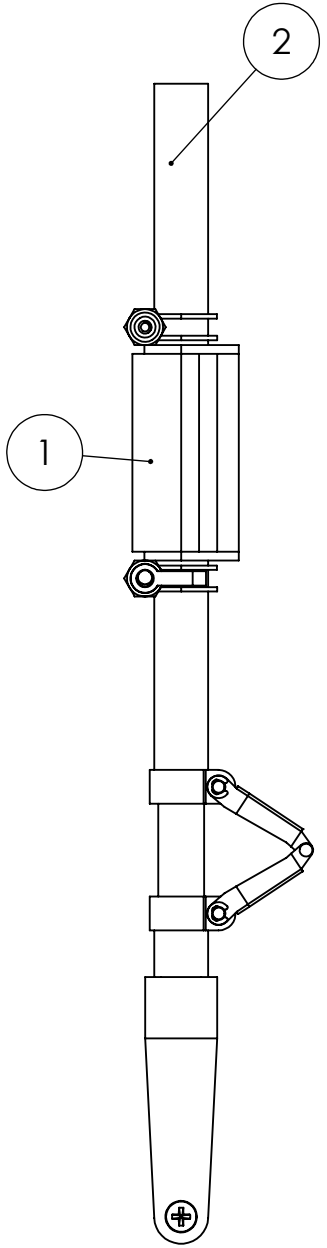
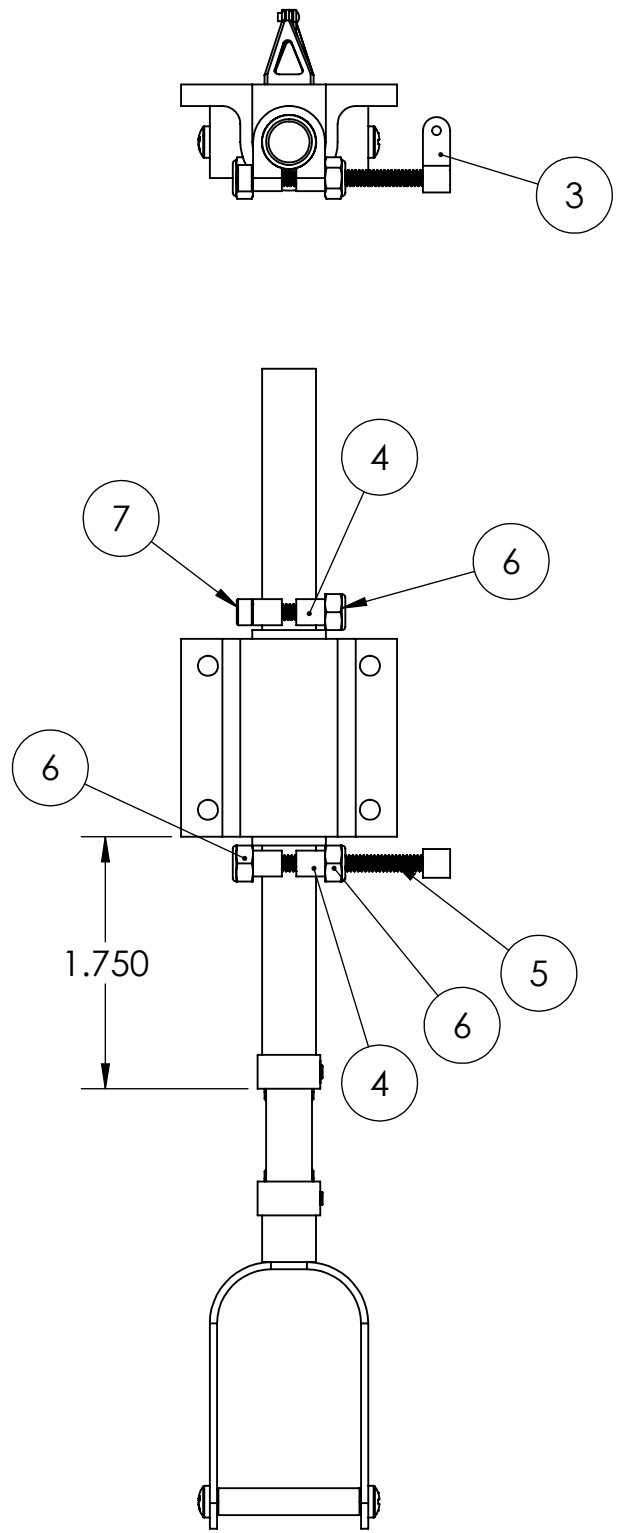


8 7 6 5 4 3 2 1

REVISIONS			
REV.	DESCRIPTION	DATE	APPROVED
D	DRAWN IN SOLIDWORKS; CHANGED SHCS TO THREADED ROD	7/11/16	NM
B	654001M CHANGED TO 654010M	7/8/2019	MFR

BILL OF MATERIALS			
QTY.	ITEM NO.	DESCRIPTION	PART #
1	1	MOUNTING BLOCK	654010M
1	3	STEERING CLEVIS ARM	654007P
2	4	STRUT CLAMP	654003M
1	5	#4-40 x 1.5" THREADED ROD	654006M
3	6	ELASTIC STOP NUT #4-40	1049F
1	7	4-40 X 5/8" SHCS STAINLESS	1109F

D
C
B
A



PARTS BAG - #607103A

robart MFG. INC. 155 OSWALT AVE. BATAVIA, IL 60510

TITLE:
ROBOSTRUT STEERABLE NOSE GEAR

PROPRIETARY AND CONFIDENTIAL	UNLESS OTHERWISE SPECIFIED:	NAME	DATE
THE INFORMATION CONTAINED IN THIS DRAWING IS THE SOLE PROPERTY OF ROBERT MANUFACTURING. ANY REPRODUCTION IN PART OR AS A WHOLE WITHOUT THE WRITTEN PERMISSION OF ROBERT MANUFACTURING IS PROHIBITED.	DIMENSIONS ARE IN INCHES	DRAWN	N.MARC 7/11/2016
	TOLERANCES:	CHECKED	
	FRACTIONAL ± 1/32	MFG APPR.	
	ANGULAR: MACH ± 1° BEND ± 1°	Q.A.	
	TWO PLACE DECIMAL ± 0.01		
	THREE PLACE DECIMAL ± 0.005		
	FOUR PLACE DECIMAL ± 0.0005		

SIZE	DWG. NO.	REV
B	654	B
SCALE: 3:4	WEIGHT:	SHEET 1 OF 1

8 7 6 5 4 3 2 1