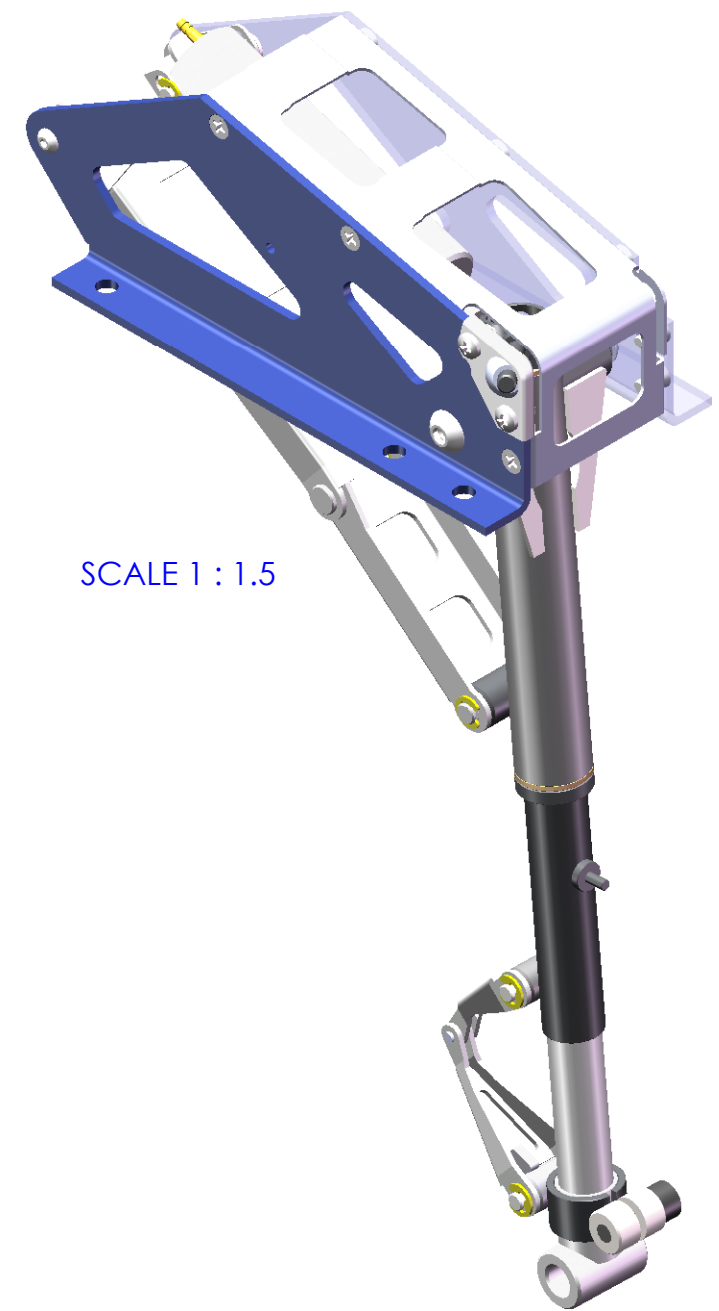
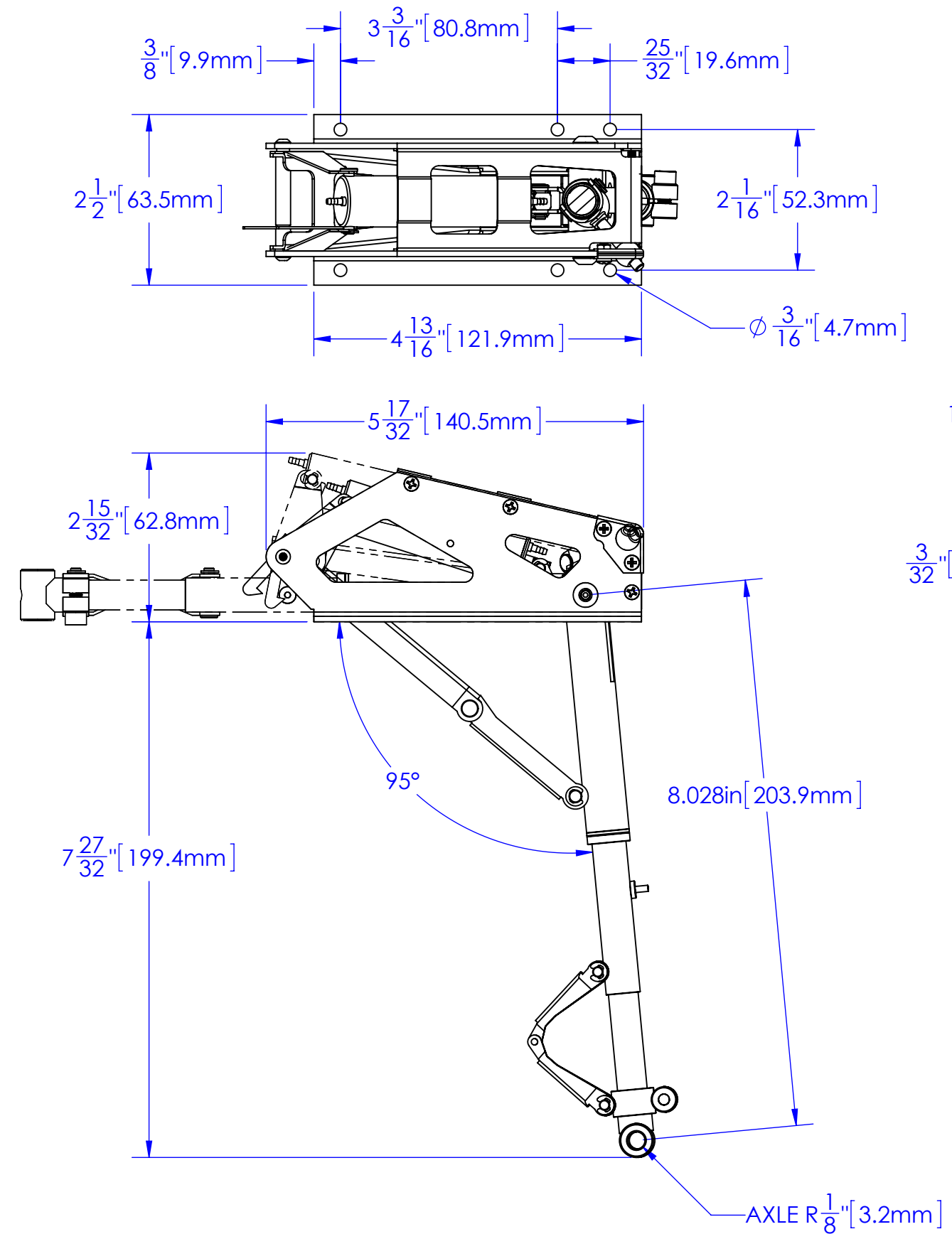


REVISIONS			
REV.	DESCRIPTION	DATE	APPROVED



**UNITS:**  
INCH [mm]

<b>PROPRIETARY AND CONFIDENTIAL</b> THE INFORMATION CONTAINED IN THIS DRAWING IS THE SOLE PROPERTY OF ROBART MANUFACTURING. ANY REPRODUCTION IN PART OR AS A WHOLE WITHOUT THE WRITTEN PERMISSION OF ROBART MANUFACTURING IS PROHIBITED.	UNLESS OTHERWISE SPECIFIED: DIMENSIONS ARE IN INCHES TOLERANCES: FRACTIONAL $\pm 1/32$ ANGULAR: MACH $\pm 1^\circ$ BEND $\pm 1^\circ$ TWO PLACE DECIMAL $\pm 0.01$ THREE PLACE DECIMAL $\pm 0.005$ FOUR PLACE DECIMAL $\pm 0.0005$	DRAWN CHECKED MFG APPR. Q.A.	NAME N.MARC	DATE 11SEP14	TITLE: <b>OPERATIONAL DETAILS          150 MAIN RETRACTS</b>	SIZE <b>B</b>	DWG. NO. <b>150 DIM</b>	REV -
	SCALE: 1:2		WEIGHT:		SHEET 1 OF 1			

ROBART MFG.

TITLE:  
**OPERATIONAL DETAILS  
150 MAIN RETRACTS**

SIZE **B** DWG. NO. **150 DIM** REV -

SCALE: 1:2 WEIGHT: SHEET 1 OF 1