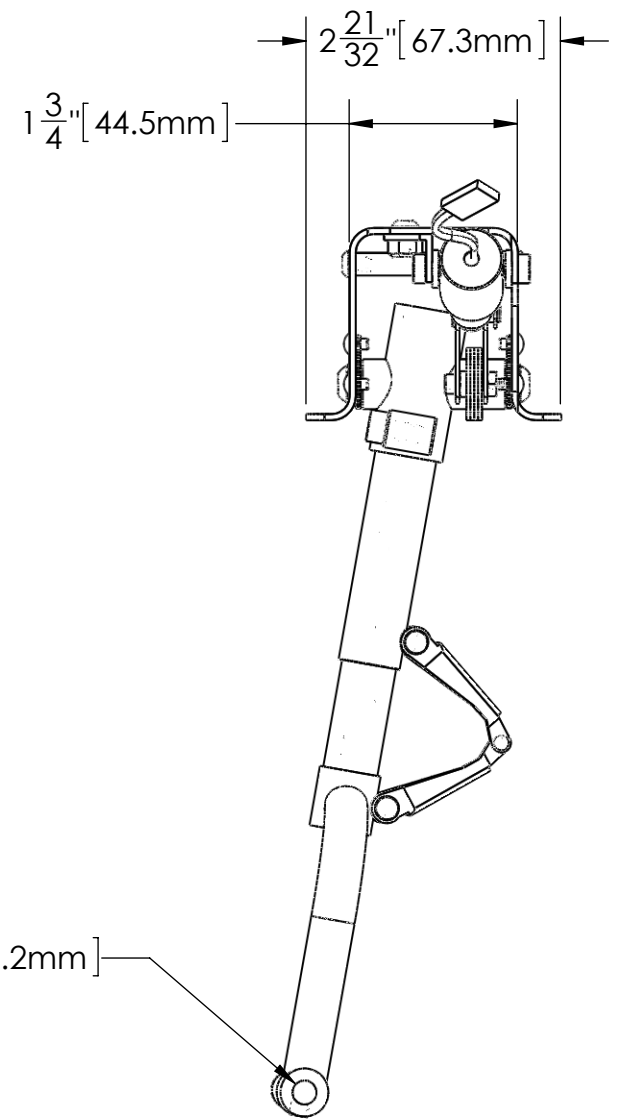
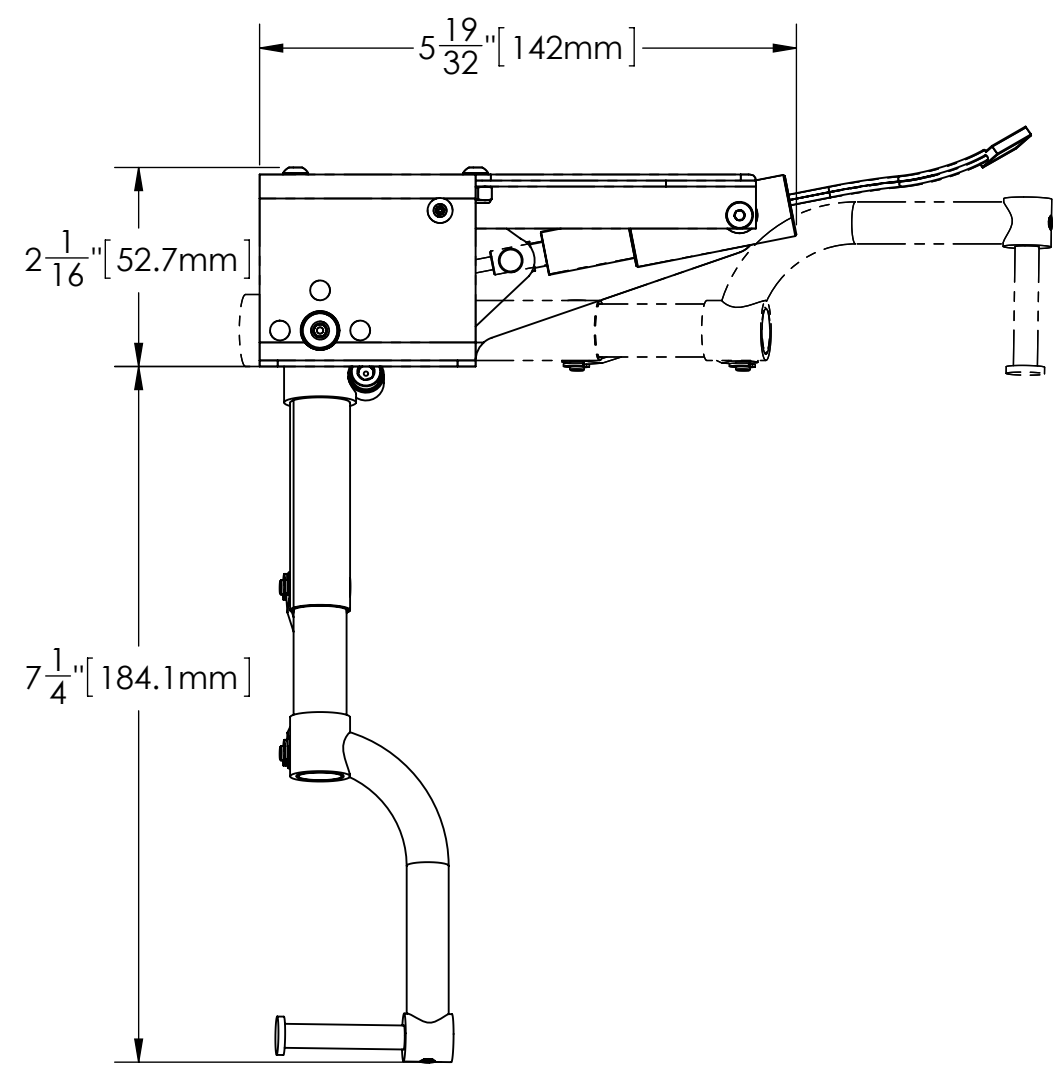
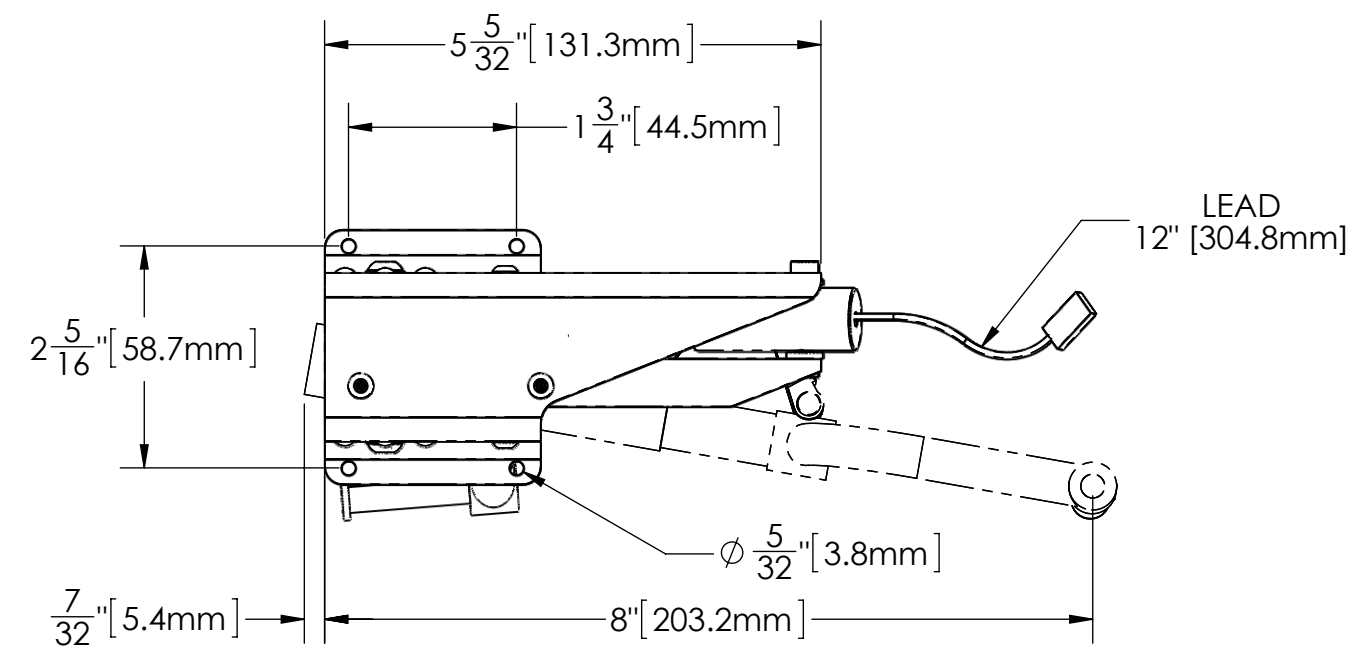


REVISIONS			
REV.	DESCRIPTION	DATE	APPROVED



UNITS:
INCH [mm]

ROBART MFG.

TITLE:
**DIMENSIONAL DETAILS
T-6 MAIN GEAR**

PROPRIETARY AND CONFIDENTIAL THE INFORMATION CONTAINED IN THIS DRAWING IS THE SOLE PROPERTY OF ROBART MANUFACTURING. ANY REPRODUCTION IN PART OR AS A WHOLE WITHOUT THE WRITTEN PERMISSION OF ROBART MANUFACTURING IS PROHIBITED.	UNLESS OTHERWISE SPECIFIED: DIMENSIONS ARE IN INCHES TOLERANCES: FRACTIONAL ± 1/32 ANGULAR: MACH ± 1° BEND ± 1° TWO PLACE DECIMAL ± 0.01 THREE PLACE DECIMAL ± 0.005 FOUR PLACE DECIMAL ± 0.0005	DRAWN	N.MARC	31JUL14
		CHECKED		
		MFG APPR.		
		Q.A.		

SIZE	DWG. NO.	REV
B	161E DIM	-
SCALE: 1:2	WEIGHT:	SHEET 1 OF 1