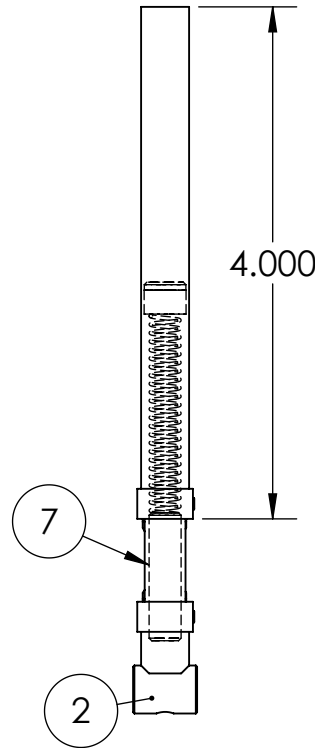
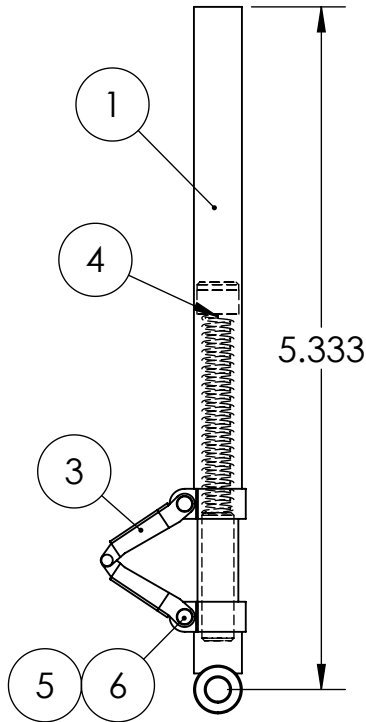


REVISIONS			
REV.	DESCRIPTION	DATE	APPROVED
-	DRAWN IN SOLIDWORKS	7/18/17	BGM

BILL OF MATERIALS			
QTY.	ITEM NO.	DESCRIPTION	PART #
1	1	STRUT TUBE ASSEMBLY	650061A
1	2	OLEO RAM WELDMENT	650002A
1	3	TORQUE LINK ASSEMBLY	650003A
1	4	COMPRESSION SPRING	650038P
2	5	CLEVIS PIN	650014M
2	6	E CLIP	1062F
1	7	ALUMINUM PLUG	650004M



B3DFE439 Ž° (' "" # 3



MFG. INC. 155 OSWALT AVE.
BATAVIA, IL 60510

TITLE:

Ø 3/8" ROBOSTRUT
STRAIGHT ASSEMBLY

PROPRIETARY AND CONFIDENTIAL THE INFORMATION CONTAINED IN THIS DRAWING IS THE SOLE PROPERTY OF ROBART MANUFACTURING. ANY REPRODUCTION IN PART OR AS A WHOLE WITHOUT THE WRITTEN PERMISSION OF ROBART MANUFACTURING IS PROHIBITED.	UNLESS OTHERWISE SPECIFIED: DIMENSIONS ARE IN INCHES TOLERANCES: FRACTIONAL ± 1/32 ANGULAR: MACH ± BEND ± TWO PLACE DECIMAL ±0.01 THREE PLACE DECIMAL ±0.005 FOUR PLACE DECIMAL ±0.0005	DRAWN	B.METZ	7/13/16	SIZE A	DWG. NO. 650S	REV -
		CHECKED					
		MFG APPR.			SCALE: 2:3	SHEET 1 OF 1	
		Q.A.					