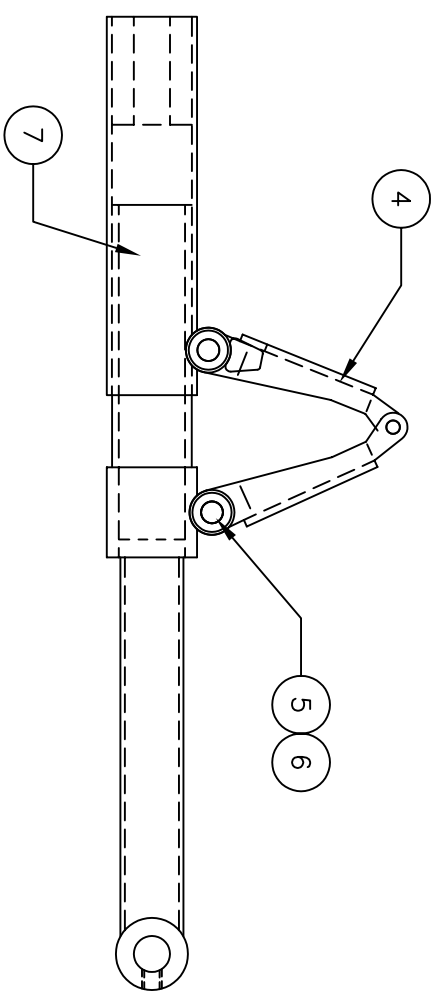
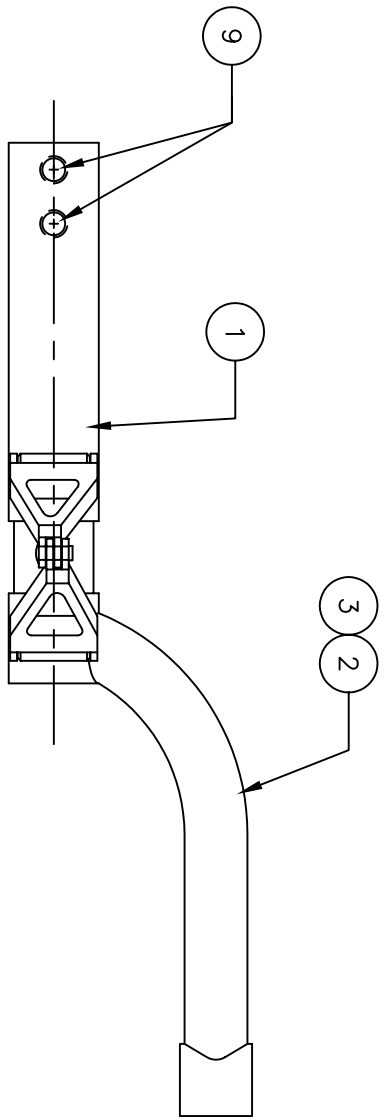
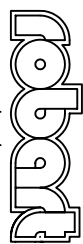


** THIS IS YOUR SPARE PARTS LIST. SAVE FOR FUTURE REFERENCE, ORDER BY PART NUMBER. CURRENT PRICES WILL BE QUOTED.**



SPARE PARTS LIST			
QTY	ITEM	DESCRIPTION	ASS'Y/PART #
1	1	STRUT TUBE ASSEMBLY	PT19-202A
1	2	OLEO RAM ASSEMBLY	PT19-203A
1	3	OLEO RAM ASSEMBLY	PT19-204A
1	4	TORQUE LINK ASSEMBLY	150-107A
2	5	CLEVIS PIN	150-002M
2	6	RETAINING RING	1039F
1	7	SPRING 3 3/4" LONG	151-019P
8	8		
2	9	#8-32 SET SCREWS	1110F
10	10		

CHK'D BY		 <p>MFG. INC. 625 N. 12TH ST. ST. CHARLES, IL (630)584-7616</p>	
DRAWN BY	J. REHAK		
DATE	3/04		
MODEL No.	PT19D		
FACTORY REPAIR FEE= \$25.00 PLUS PARTS		TITLE	DYNAFLITE PT19
906-224M			