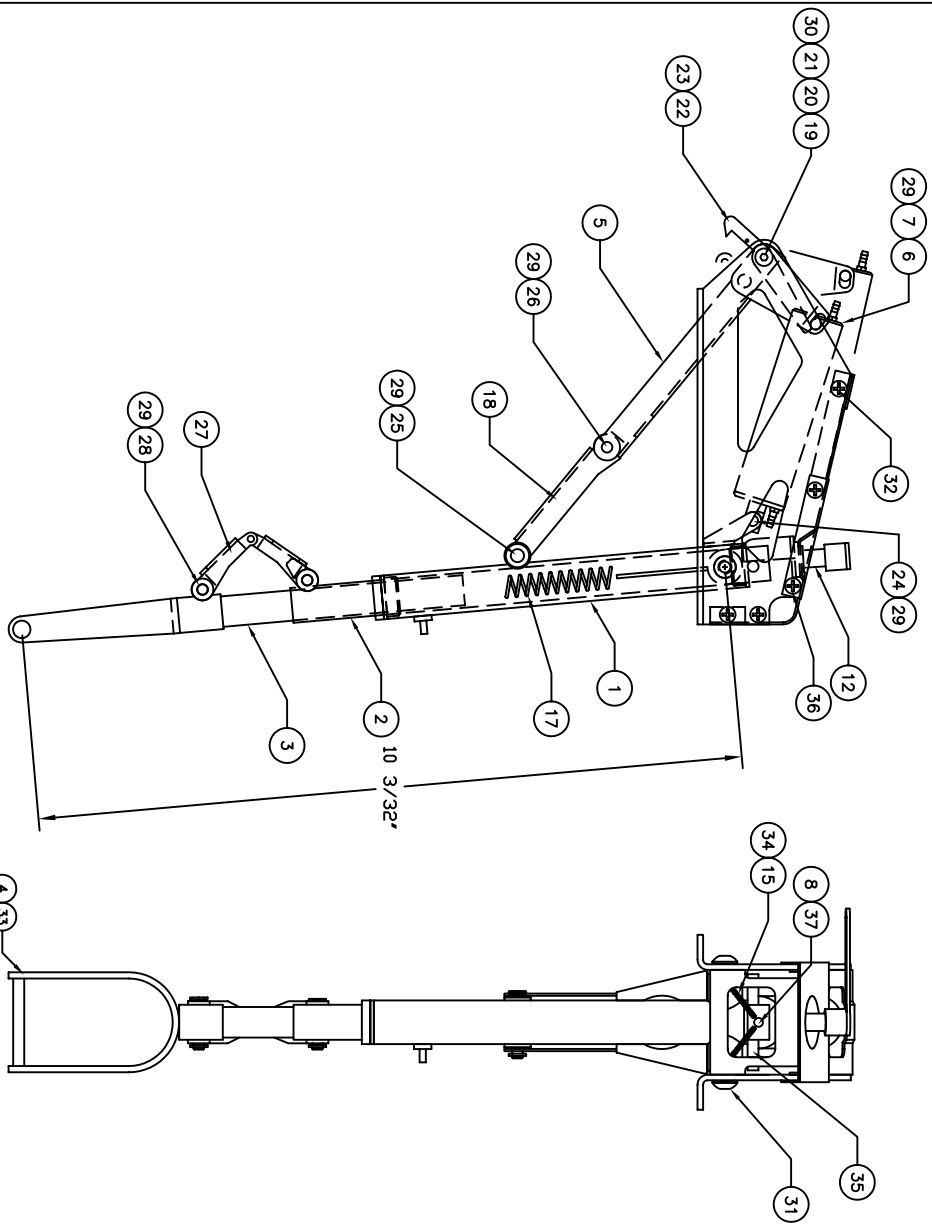


** THIS IS YOUR SPARE PARTS LIST. SAVE FOR FUTURE REFERENCE, ORDER BY PART NUMBER. CURRENT PRICES WILL BE QUOTED.**

SPARE PARTS LIST

QTY	ITEM	DESCRIPTION	ASSY/PART #
1	1	STRUT ASSEMBLY	158-102A
1	2	ROTATING STRUT ASSEMBLY	158-103A
1	3	OLEO RAM ASSEMBLY	674-104A
1	4	AXLE	159-005M
1	5	LIFT YOKE ASSEMBLY	150-105A
1	6	CYLINDER ASSEMBLY	150-108A
1	7	CYLINDER PIVOT PIN	150-012M
1	8	1/8 OD ALUMINIUM TUBE	102-009P
1	9	SIDE FRAME (RH)	150-037M
1	10	SIDE FRAME (LH)	150-036M
1	11	SPACER BRACKET	150-038M
1	12	STEERING YOKE ASSEMBLY	158-106A
1	13	STEERING ARM ASSEMBLY	158-105A
1	14	STEERING BRACKET ASSEMBLY	158-104A
2	15	SPRING	158-001P
1	16	SET SCREW	1015F
1	17	SPRING	150-019P
1	18	LIFT LINK	150-031M
1	19	LIFT YOKE PIVOT PIN	150-004M
1	20	LATCH SPACER	150-001M
1	21	LATCH SPACER	150-005M
1	22	LATCH PAWL	150-003M
1	23	LATCH SPRING	102-008M
1	24	ACTUATOR CLEVIS PIN	150-018M
1	25	LIFT LINK PIN	150-010M
2	26	YOKE CLEVIS PIN	150-033M
1	27	TORQUE LINK ASSEMBLY	620-112A
2	28	TORQUE LINK CLEVIS PIN	620-012M
7	29	RETAINING RING	1039F
2	30	#4-40 x 3/16 BHSMs	1022F
2	31	#10-32 x 1/4 B.H.C.S.	1021F
6	32	#4 x 1/4 PPHSMs	1026F
2	33	AXLE SCREW 6-32	1020F
3	34	#2-56 x 1/4 F.H.M.C.	1023F
1	35	ROTATING SHAFT STEERING PIN	158-006M
4	36	#4-40 x 1/4 PPHMS	1047F
1	37	#2-56 x 1/2" SHCS	1055F



906-116M
FACTORY REPAIR FEE= \$25.00 PLUS PARTS

CHK'D BY		MFG. INC.
DRAWN BY	J. REHAK	625 N. 12TH ST.
DATE	6-19-02	ST. CHARLES, IL
MODEL No.	158F	(630)584-7616
TITLE		www.robart.com
STEERABLE PNEUMATIC RETRACT		
NOSE GEAR 4" WHEEL FORK		