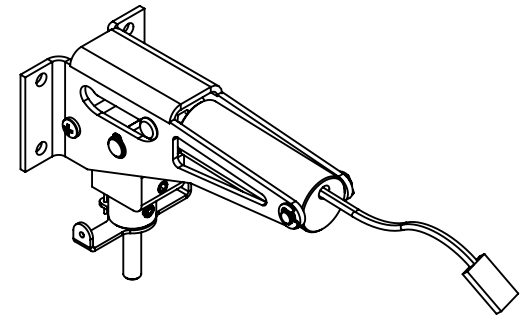
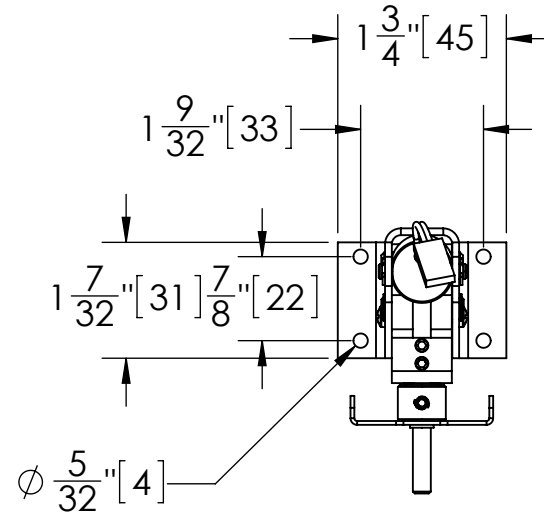
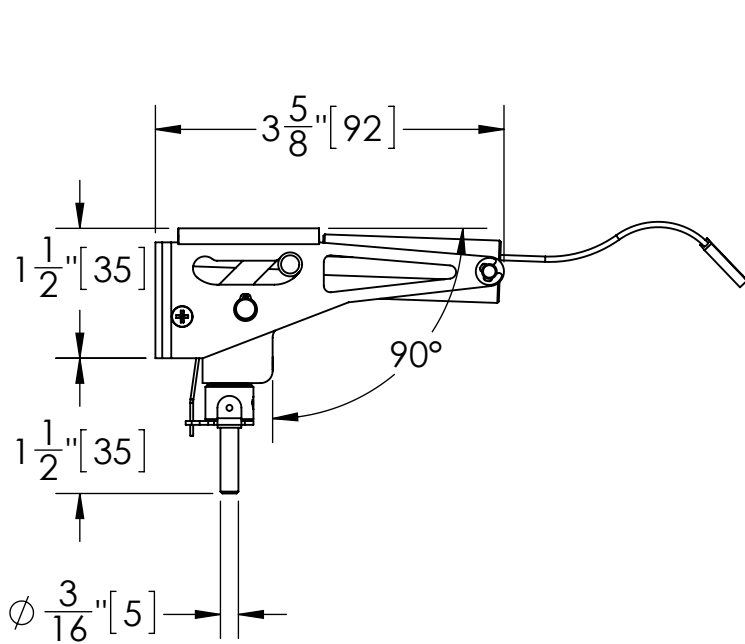
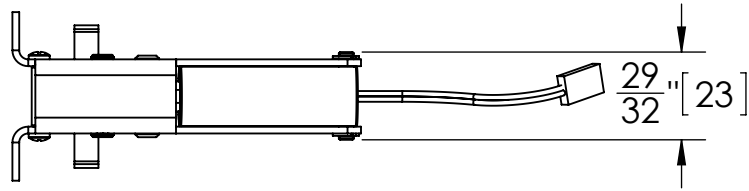


REVISIONS			
REV.	DESCRIPTION	DATE	APPROVED



**UNITS:**  
INCH [mm]

**ROBART MFG**

TITLE:  
**515 ELECTRIC RETRACT  
DIM DETAILS**

<b>PROPRIETARY AND CONFIDENTIAL</b>  THE INFORMATION CONTAINED IN THIS DRAWING IS THE SOLE PROPERTY OF ROBART MANUFACTURING. ANY REPRODUCTION IN PART OR AS A WHOLE WITHOUT THE WRITTEN PERMISSION OF ROBART MANUFACTURING IS PROHIBITED.	UNLESS OTHERWISE SPECIFIED: DIMENSIONS ARE IN INCHES TOLERANCES: FRACTIONAL ± 1/32 ANGULAR: MACH ±      BEND ± TWO PLACE DECIMAL ±0.01 THREE PLACE DECIMAL ±0.005 FOUR PLACE DECIMAL ±0.0005	NAME	DATE
	DRAWN	N.MARC	8JUL14
	CHECKED		
	MFG APPR.		
	Q.A.		

SIZE	DWG. NO.	REV
<b>A</b>	<b>515RSE DIM</b>	
SCALE: 1:2		SHEET 1 OF 1

5

4

3

2

1