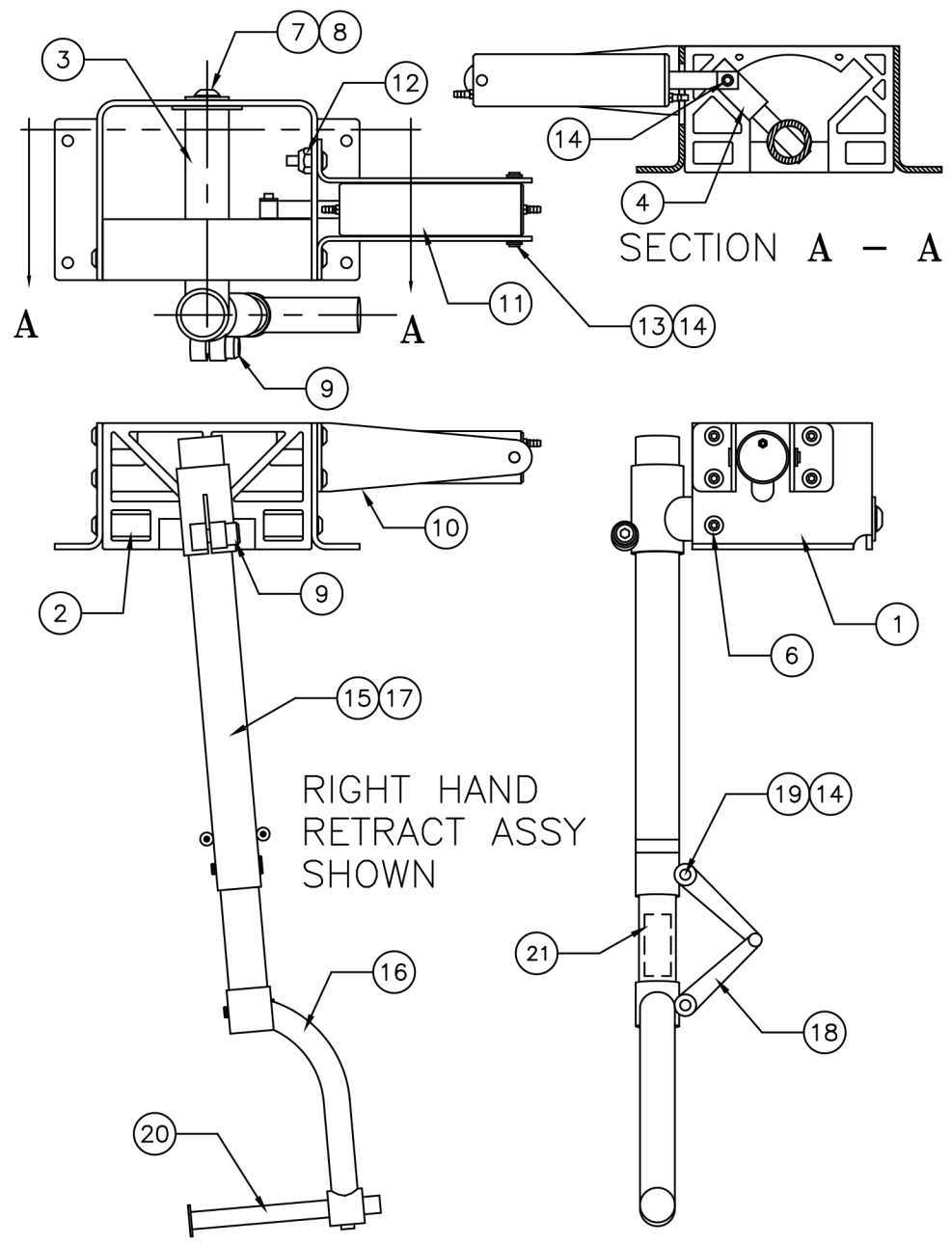



\*\* THIS IS YOUR SPARE PARTS LIST. SAVE FOR FUTURE REFERENCE, ORDER BY PART NUMBER. CURRENT PRICES WILL BE QUOTED.\*\*



## SPARE PARTS LIST

QTY	ITEM	DESCRIPTION	ASS'Y/PART #
1	1	FRAME ASSEMBLY	145152A
1	2	FRONT BLOCK ASSEMBLY	145110A
1/1	3	TRUNION ASSEMBLY RH/LH	145162A RH/145163A LH
1	4	CAM ASSEMBLY	145104A
	5		
8	6	ROUND HD. MACH SCREW #6-32	1071F
1	7	BUTTON HD. MACH SCREW #10-32	1021F
1	8	FLAT WASHER #10	1075F
1	9	SOCKET HD CAP SCREW #10-32	1072F
2	10	CYLINDER BRACKET	145112M
1	11	CYLINDER ASSEMBLY	145532A
2	12	ELASTIC STOP NUT #6-32	1041F
1	13	CLEVIS PIN (CYLINDER)	150540M
5	14	RETAINING RING	1039F
1	15	UPPER STRUT ASSEMBLY	145123A
1/1	16	OFFSET STRUT ASSEMBLY RH/LH	145125A RH/145124A LH
1	17	SPRING	151019P
1	18	TORQUE LINK ASSEMBLY	150107A
2	19	CLEVIS PIN (TORQUE LINK)	150002M
1	20	AXLE BAG ASSEMBLY	145142A
1	21	1" WOOD DOWEL PLUG	145001M

NOTE: RIGHT HAND OR LEFT HAND UNITS ARE DETERMINED AS IF SITTING IN AIRCRAFT COCKPIT

CHK'D BY	 www.robart.com	MFG INC. 155 OSWALT AVE. BATAVIA, IL 60510 (630) 584-7616
DRAWN BY J. REHAK		
DATE 6-21-02	TITLE P-51 MUSTANG RETRACTS WITH 5" WHEEL	
MODEL No. #145-5		