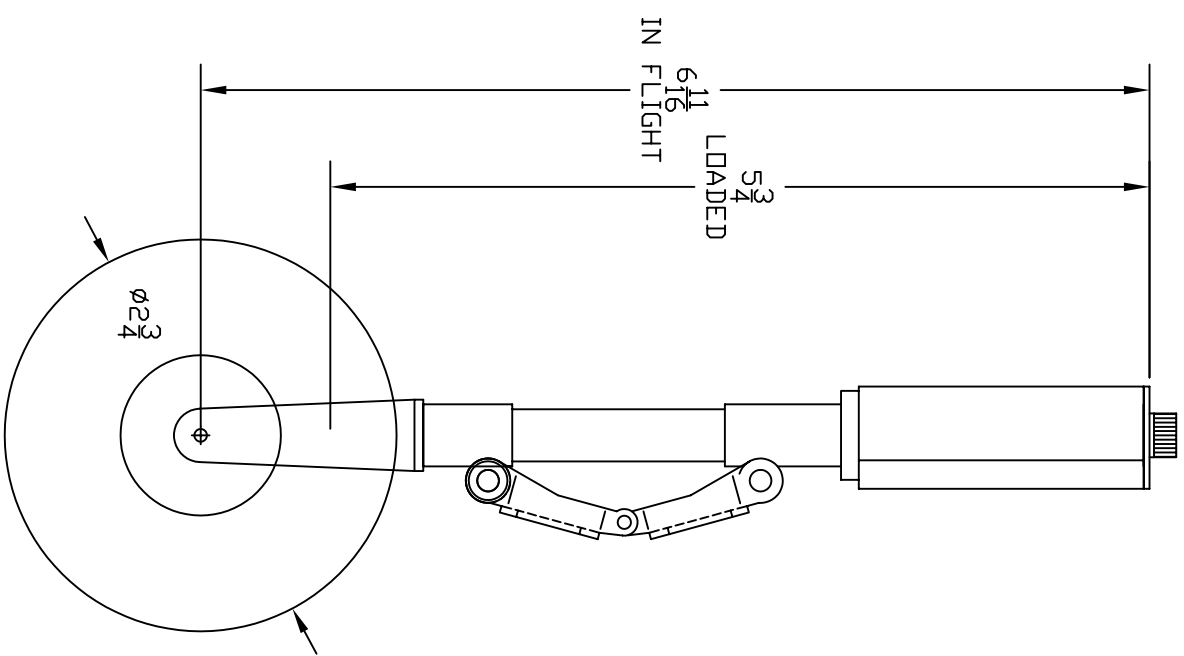
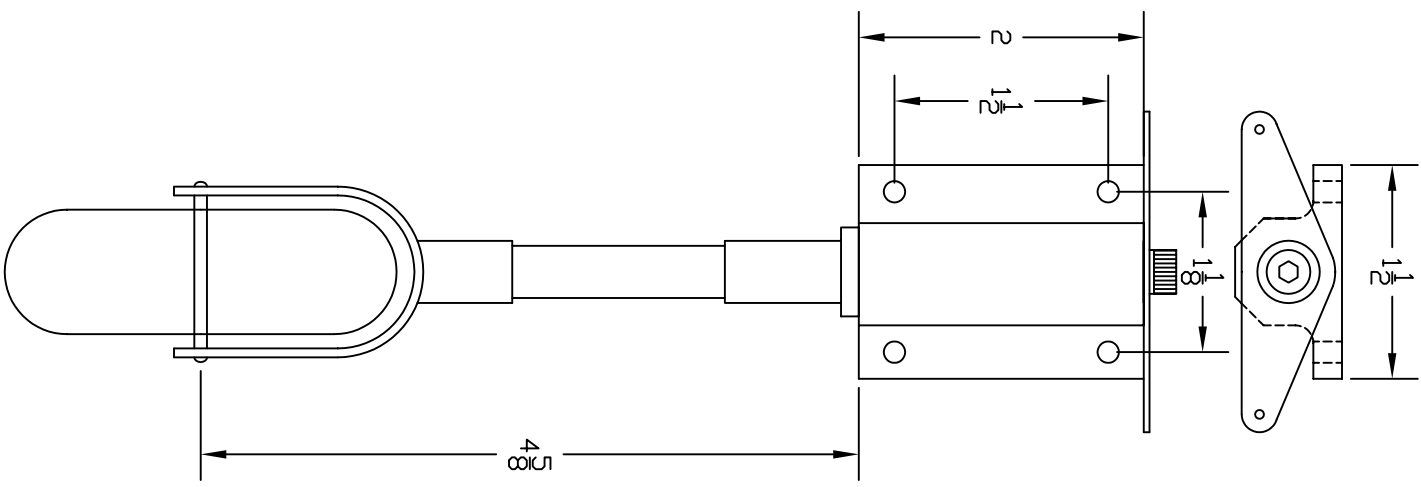


robart
 MFG. INC.
 625 N. 12TH ST.
 ST. CHARLES, IL
 (630) 584-7616
 www.robart.com

ZECOUBE
 MAIN GEAR
 DETAIL

THIS DRAWING ITS CONTENTS AND INFORMATION, ARE CONFIDENTIAL, AND THE PROPERTY OF ROBART MFG. INC. IT MAY NOT BE USED, COPIED, AND / OR TRANSMITTED TO ANY PERSON, FIRM, OR CORPORATION WITHOUT THE PRIOR WRITTEN APPROVAL OF ROBART MFG. INC.



MFG. INC.
625 N. 12TH ST.
ST. CHARLES, IL
(630) 584-7616

ZECOU P
NOSE GEAR
DETAIL

THIS DRAWING ITS CONTENTS AND INFORMATION, ARE CONFIDENTIAL, AND THE PROPERTY OF ROBART MFG. INC. IT MAY NOT BE USED, COPIED, AND / OR TRANSMITTED TO ANY PERSON, FIRM, OR CORPORATION WITHOUT THE PRIOR WRITTEN APPROVAL OF ROBART MFG. INC.