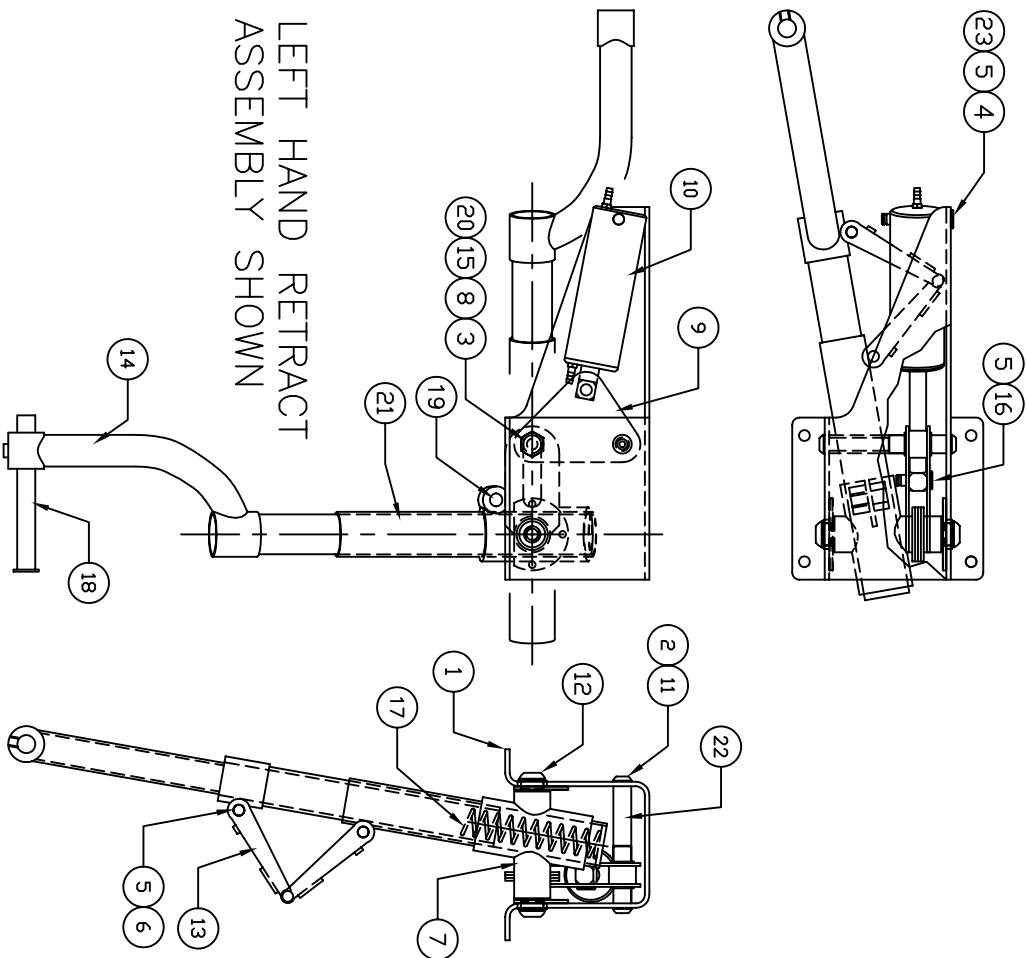


** THIS IS YOUR SPARE PARTS LIST. SAVE FOR FUTURE REFERENCE, ORDER BY PART NUMBER. CURRENT PRICES WILL BE QUOTED.**

SPARE PARTS LIST

QTY	ITEM	DESCRIPTION	ASSY/PART #
1/1	1	FRAME ASSEMBLY RH/LH	161-109A RH/161-110A LH
1	2	PIVOT PIN	161-011M
1	3	#4-40 SHCS	1082F
1	4	CLEVIS PIN	150-012M
4	5	RETAINING RING	1039F
2	6	CLEVIS PIN	150-002M
1/1	7	TRUNION ASSEMBLY RH/LH	161-120A / 161-121A
1	8	ROLLER	161-010M
1	9	PIVOT ASSEMBLY	161-104A
1	10	CYLINDER ASSEMBLY	161-108A
2	1-1	SCREW #6-32 x 1/4	1020F
2	12	SCREW #10-32 x 1/4	1021F
1	13	TORQUE LINK ASSEMBLY	150-107A
1/1	14	OLEO RAM ASSEMBLY RH/LH	145-125A / 145-124A
1	15	ELASTIC STOP NUT #4-40	1049F
1	16	ACTUATOR PIVOT PIN	150-018M
1	17	SPRING 6 1/2" LONG	151-019P
1	18	AXLE BAG ASSEMBLY	145-142A
1	19	CAP SCREW #10-32	1072F
2	20	#4 FLAT WASHER	1102F
1	21	UPPER STRUT ASSEMBLY	161-122A
1	22	SPACER TUBE	161-016M
1	23	O-RING	204-006P



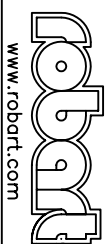
LEFT HAND RETRACT ASSEMBLY SHOWN

NOTE: RIGHT HAND OR LEFT HAND UNITS ARE DETERMINED AS IF SITTING IN AIRCRAFT COCKPIT.

906-032M

FACTORY REPAIR FEE= \$25.00 PLUS PARTS

CHK'D BY		MFG. INC.
DRAWN BY	J. REHAK	625 N. 12TH ST. ST. CHARLES, IL (630)584-7616
DATE	6-21-02	
MODEL No.	161	TITLE AT-6 TEXAN 1/5 SCALE RETRACT



www.robart.com