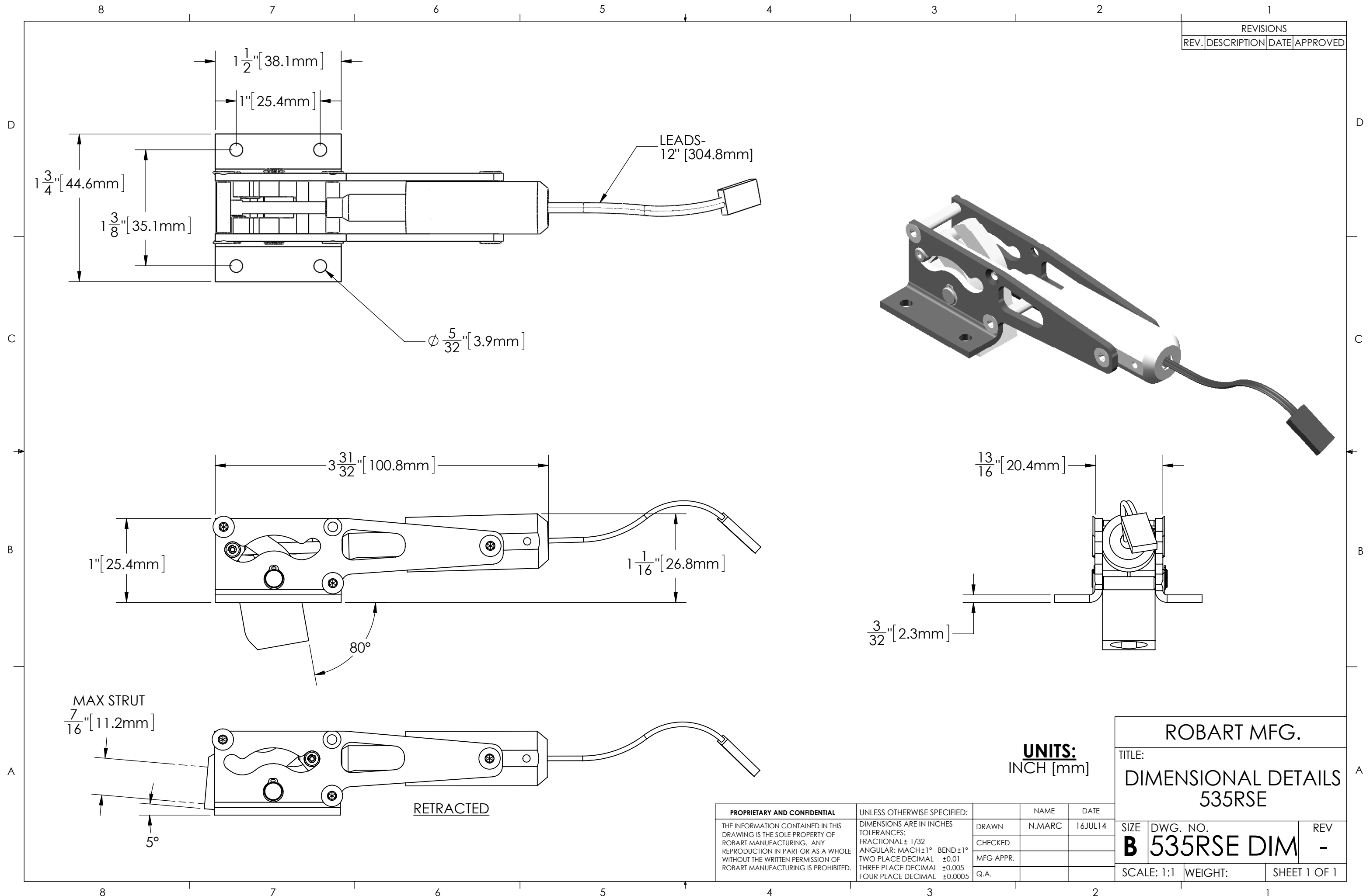


REVISIONS			
REV.	DESCRIPTION	DATE	APPROVED



MAX STRUT  
 $\frac{7}{16}$ " [11.2mm]

RETRACTED

**UNITS:**  
 INCH [mm]

ROBART MFG.

TITLE:  
**DIMENSIONAL DETAILS**  
**535RSE**

PROPRIETARY AND CONFIDENTIAL	UNLESS OTHERWISE SPECIFIED:		NAME	DATE
THE INFORMATION CONTAINED IN THIS DRAWING IS THE SOLE PROPERTY OF ROBART MANUFACTURING. ANY REPRODUCTION IN PART OR AS A WHOLE WITHOUT THE WRITTEN PERMISSION OF ROBART MANUFACTURING IS PROHIBITED.	DIMENSIONS ARE IN INCHES TOLERANCES: FRACTIONAL $\pm 1/32$ ANGULAR: MACH $\pm 1^\circ$ BEND $\pm 1^\circ$ TWO PLACE DECIMAL $\pm 0.01$ THREE PLACE DECIMAL $\pm 0.005$ FOUR PLACE DECIMAL $\pm 0.0005$	DRAWN	N.MARC	16JUL14
		CHECKED		
		MFG APPR.		
		Q.A.		

SIZE	DWG. NO.	REV
<b>B</b>	<b>535RSE DIM</b>	-
SCALE: 1:1	WEIGHT:	SHEET 1 OF 1