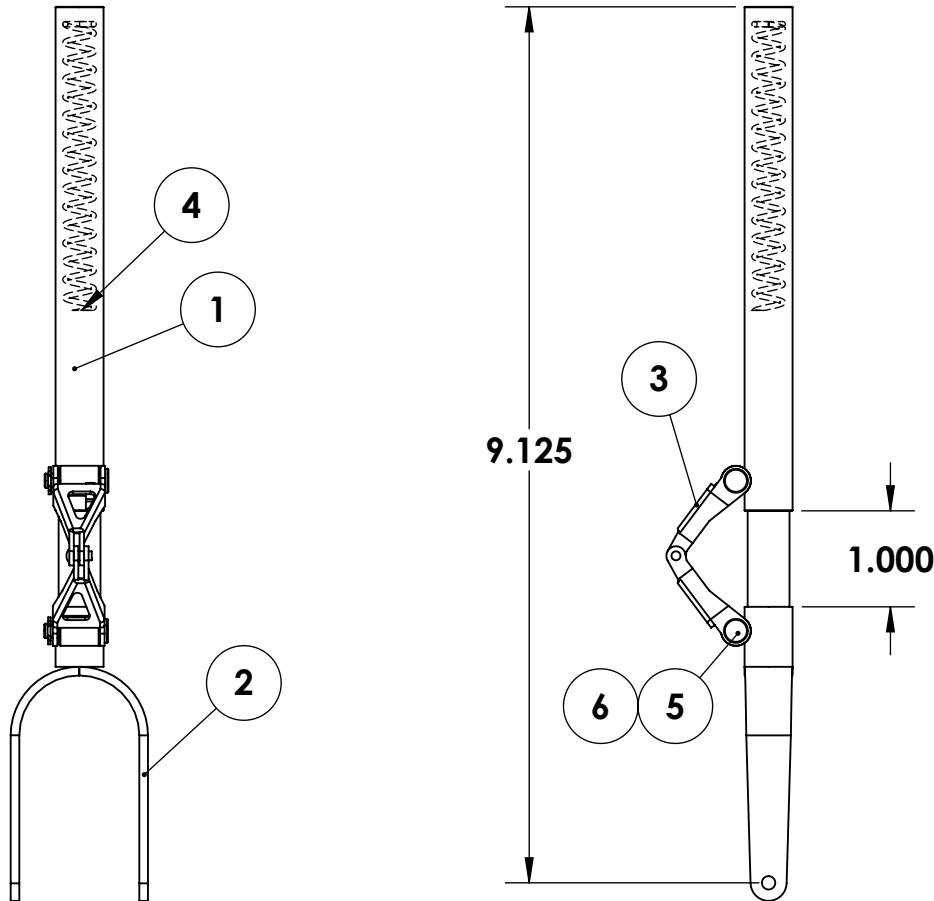


REVISIONS			
REV.	DESCRIPTION	DATE	APPROVED
B	DRAWN IN SOLIDWORKS	6/8/16	NM

BILL OF MATERIALS			
QTY.	ITEM NO.	DESCRIPTION	PART #
1	1	UPPER STRUT WELDMENT	622115A
1	2	OLEO RAM WELDMENT	674104A
1	3	TORQUE LINK ASSEMBLY	620112A
1	4	COMPRESSION SPRING	150019P
2	5	CLEVIS PIN	620012M
2	6	E-CLIP	1039F

8" LONG SPRING



AXLE BAG ASSEMBLY - #674142A



MFG. INC. 155 OSWALT AVE.  
BATAVIA, IL 60510

TITLE:

$\varnothing$  1/2" OFFSET STRUT  
YOKE ASSEMBLY

PROPRIETARY AND CONFIDENTIAL	UNLESS OTHERWISE SPECIFIED:	NAME	DATE
THE INFORMATION CONTAINED IN THIS DRAWING IS THE SOLE PROPERTY OF ROBERT MANUFACTURING. ANY REPRODUCTION IN PART OR AS A WHOLE WITHOUT THE WRITTEN PERMISSION OF ROBERT MANUFACTURING IS PROHIBITED.	DIMENSIONS ARE IN INCHES	DRAWN	6/8/16
	TOLERANCES:	CHECKED	
	FRACTIONAL $\pm$ 1/32	MFG APPR.	
	ANGULAR: MACH $\pm$ BEND $\pm$	Q.A.	
	TWO PLACE DECIMAL $\pm$ 0.01		
	THREE PLACE DECIMAL $\pm$ 0.005		
	FOUR PLACE DECIMAL $\pm$ 0.0005		

SIZE  
**A**

DWG. NO.

**674**

REV  
**B**

SCALE: 1:2

SHEET 1 OF 1

5

4

3

2

1