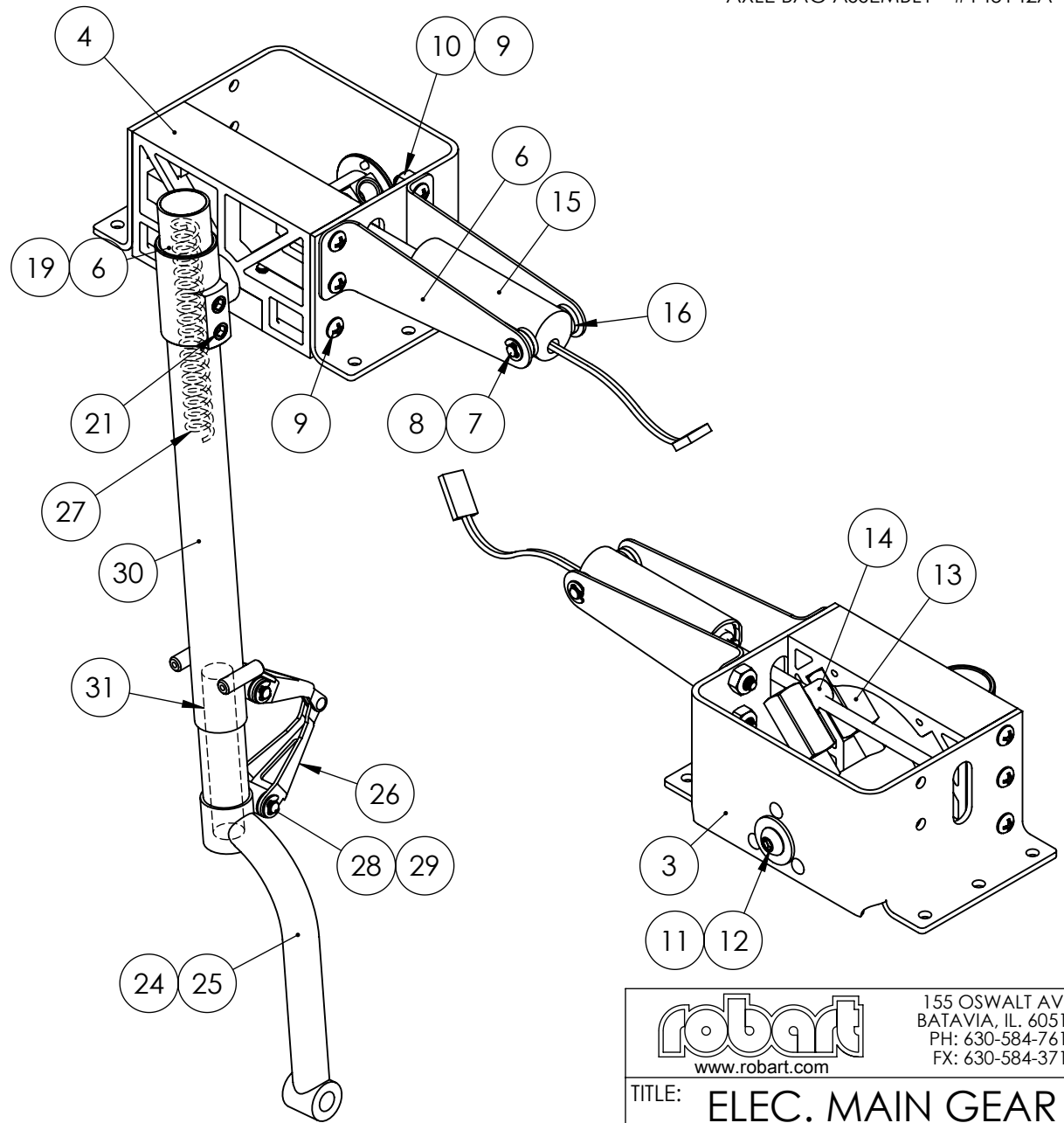


SPARE PARTS LIST

QTY.	ITEM NO.	DESCRIPTION	PART NUMBER
1	1	ELEC. RETRACT ASSEMBLY (RH)	145164A
1	2	ELEC. RETRACT ASSEMBLY (LH)	145165A
1	3	FRAME ASSEMBLY	145152A
1	4	HOUSING ASSEMBLY	145110A
1	5	TRUNION - LH	145163A
2	6	CYLINDER BRACKET	145112M
1	7	CYLINDER CLEVIS PIN	150540M
2	8	E-CLIP	1039F
8	9	#6-32 X 3/8" PHMS	1071F
2	10	#6-32 LOCK NUT	1041F
1	11	#10 FLAT WASHER	1075F
1	12	#10-32 BHCS	1021F
2	13	CAM BLOCK	145E020M
1	14	LINKAGE BARREL	620029M
1	15	ELECTRIC ACTUATOR	145E532A
3	16	NYLON SPACER - BLACK	1203F
1	17	TRUNION - RH	145162A
1	18	TRUNION SHAFT	145217M
1	19	STRUT CLAMP	145118M
2	20	CAM SHAFT	145115M
2	21	1/4-28 X 1/4" SET SCREW	1212F
1	22	STRUT ASSEMBLY (RH)	145205A
1	23	STRUT ASSEMBLY (LH)	145206A
1	24	OLEO RAM WELDMENT - RH	145225A
1	25	OLEO RAM WELDMENT (LH)	145224A
1	26	TORQUE LINK ASSEMBLY	150107A
1	27	COMPRESSION SPRING	150019P
2	28	CLEVIS PIN	150002M
2	29	E-CLIP	1039F
1	30	UPPER STRUT WELDMENT	145223A
1	31	WOOD PLUG	145002M

AXLE BAG ASSEMBLY - #145142A



robart
www.robart.com

155 OSWALT AVE.
BATAVIA, IL. 60510
PH: 630-584-7616
FX: 630-584-3712

TITLE: **ELEC. MAIN GEAR
145-6E
(RH SHOWN)**

145-6ESP

REV -

906-428M

PROPRIETARY AND CONFIDENTIAL

THE INFORMATION CONTAINED IN THIS DRAWING IS THE SOLE PROPERTY OF ROBART MANUFACTURING. ANY REPRODUCTION IN PART OR AS A WHOLE WITHOUT THE WRITTEN PERMISSION OF ROBART MANUFACTURING IS PROHIBITED.

	NAME	DATE
DRAWN	J.REHAK	12JUN13
CHECKED		