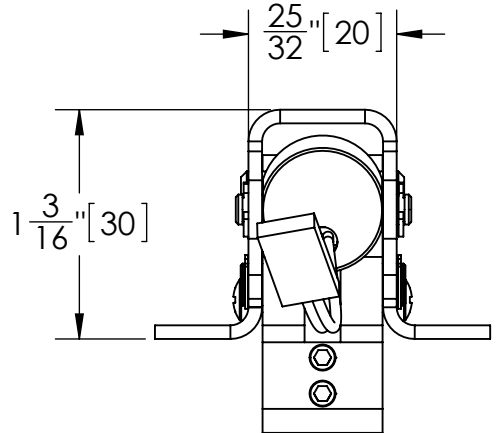
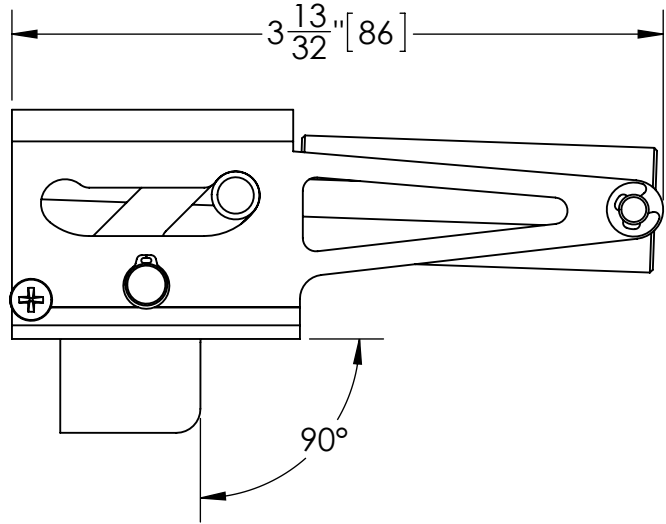
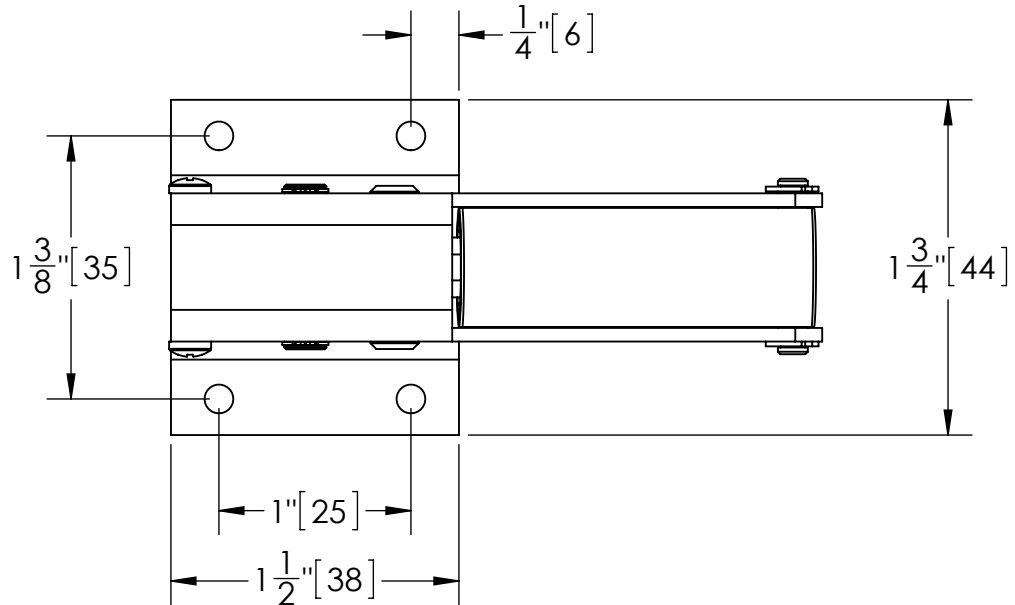


REVISIONS			
REV.	DESCRIPTION	DATE	APPROVED



ROBART MFG

TITLE:
**510 90° ELECTRIC MAIN
 RETRACT DIM DETAILS**

SIZE	DWG. NO.	REV
A	510RSE DIM	
SCALE: 1:2		SHEET 1 OF 1

PROPRIETARY AND CONFIDENTIAL THE INFORMATION CONTAINED IN THIS DRAWING IS THE SOLE PROPERTY OF ROBART MANUFACTURING. ANY REPRODUCTION IN PART OR AS A WHOLE WITHOUT THE WRITTEN PERMISSION OF ROBART MANUFACTURING IS PROHIBITED.	UNLESS OTHERWISE SPECIFIED: DIMENSIONS ARE IN INCHES TOLERANCES: FRACTIONAL $\pm 1/32$ ANGULAR: MACH \pm BEND \pm TWO PLACE DECIMAL ± 0.01 THREE PLACE DECIMAL ± 0.005 FOUR PLACE DECIMAL ± 0.0005	NAME	DATE
	DRAWN	N.MARC	1JUL14
	CHECKED		
	MFG APPR.		
	Q.A.		