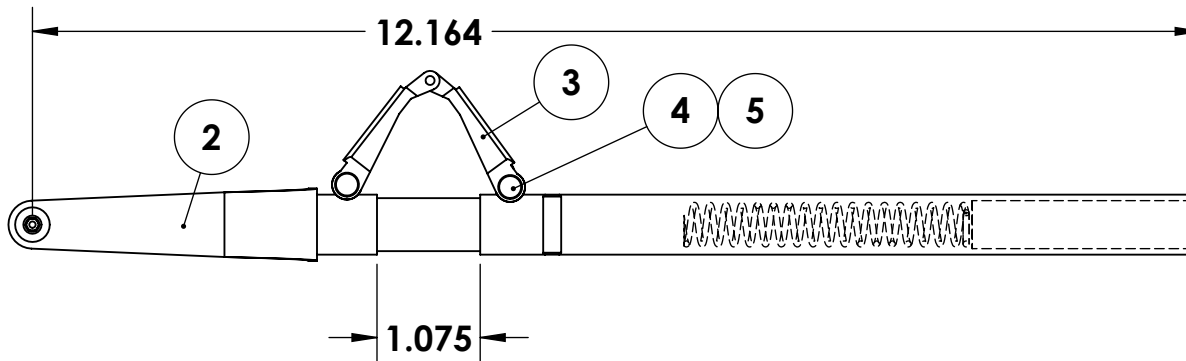
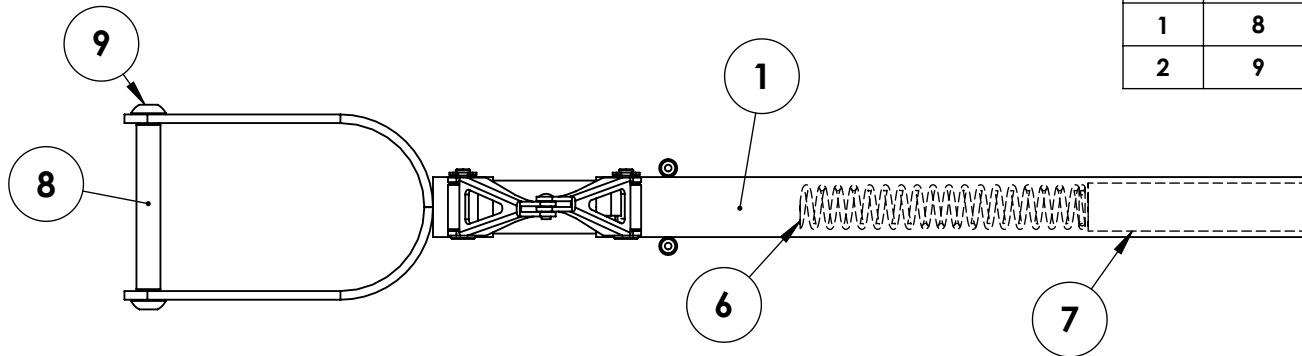


REVISIONS			
REV.	DESCRIPTION	DATE	APPROVED
C	DRAWN IN SOLIDWORKS	8/16/16	NM

BILL OF MATERIALS			
QTY.	ITEM NO.	DESCRIPTION	PART #
1	1	UPPER STRUT WELDMENT	145223A
1	2	OLEO RAM ASSEMBLY	BGB104A
1	3	TORQUE LINK ASSEMBLY	150107A
2	4	CLEVIS PIN	150002M
2	5	E-CLIP	1039F
1	6	COMPRESSION SPRING	151019P
1	7	WOOD PLUG	145002M
1	8	AXLE	BGB005M
2	9	#10-32 X 1/4 BHCS	1021F



PARTS BAG ASSEMBLY - #684142A



MFG. INC. 155 OSWALT AVE.  
BATAVIA, IL 60510

TITLE:

$\varnothing$  5/8" FORKED  
STRUT ASSEMBLY

PROPRIETARY AND CONFIDENTIAL	UNLESS OTHERWISE SPECIFIED:	NAME	DATE
THE INFORMATION CONTAINED IN THIS DRAWING IS THE SOLE PROPERTY OF ROBERT MANUFACTURING. ANY REPRODUCTION IN PART OR AS A WHOLE WITHOUT THE WRITTEN PERMISSION OF ROBERT MANUFACTURING IS PROHIBITED.	DIMENSIONS ARE IN INCHES	DRAWN	N.MARC 8/16/16
	TOLERANCES:	CHECKED	
	FRACTIONAL $\pm$ 1/32	MFG APPR.	
	ANGULAR: MACH $\pm$ BEND $\pm$	Q.A.	
	TWO PLACE DECIMAL $\pm$ 0.01		
	THREE PLACE DECIMAL $\pm$ 0.005		
	FOUR PLACE DECIMAL $\pm$ 0.0005		

SIZE	DWG. NO.	REV
<b>A</b>	<b>684</b>	<b>C</b>
SCALE: 1:2		SHEET 1 OF 1

5

4

3

2

1