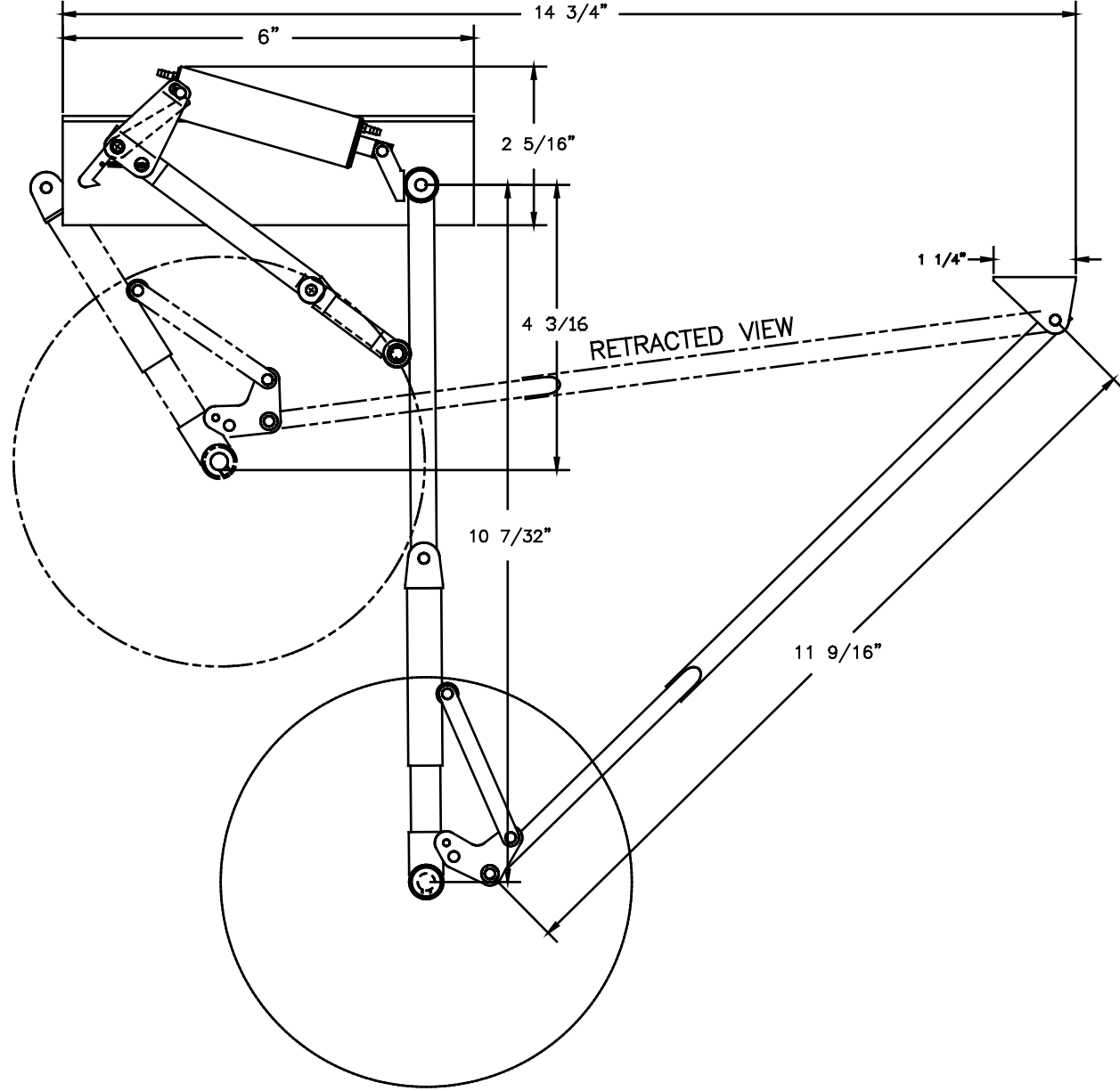
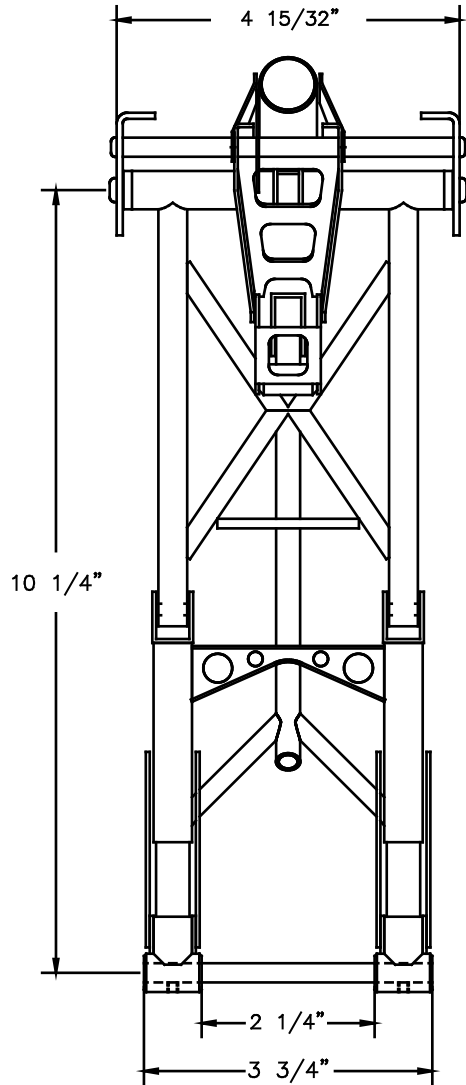



THIS DRAWING ITS CONTENTS AND INFORMATION, ARE CONFIDENTIAL, AND THE PROPERTY OF ROBERT MFG. INC. IT MAY NOT BE USED, COPIED, AND / OR TRANSMITTED TO ANY PERSON, FIRM, OR CORPORATION WITHOUT THE PRIOR WRITTEN APPROVAL OF ROBERT MFG. INC.



DC-3 MAIN GEAR  
OPERATIONAL DETAIL

SCALE	1 : 1
Dr. BY	J. REHAK
DATE	12/01
CHK'D BY	
APP'D	

	MFG. INC. 825 N. 12TH ST. ST. CHARLES, I.
	TITLE DC-3 MAIN GEAR
DRAWING No.	162-000M
REV.	