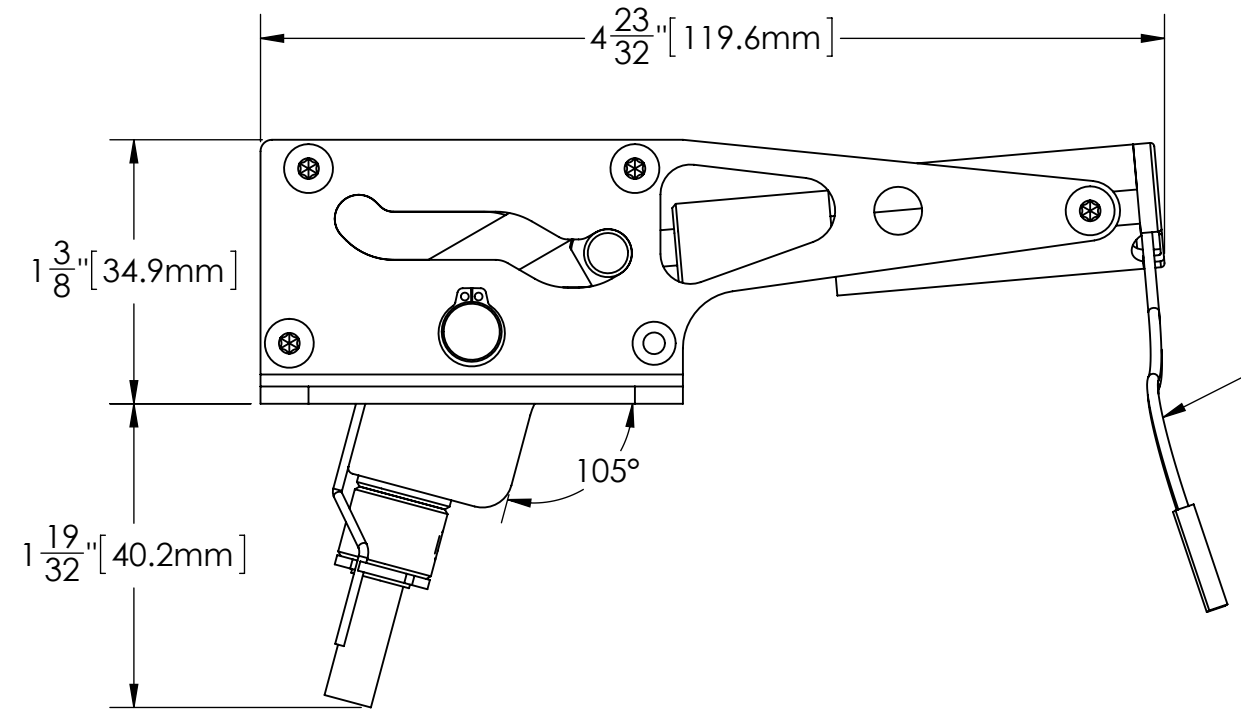
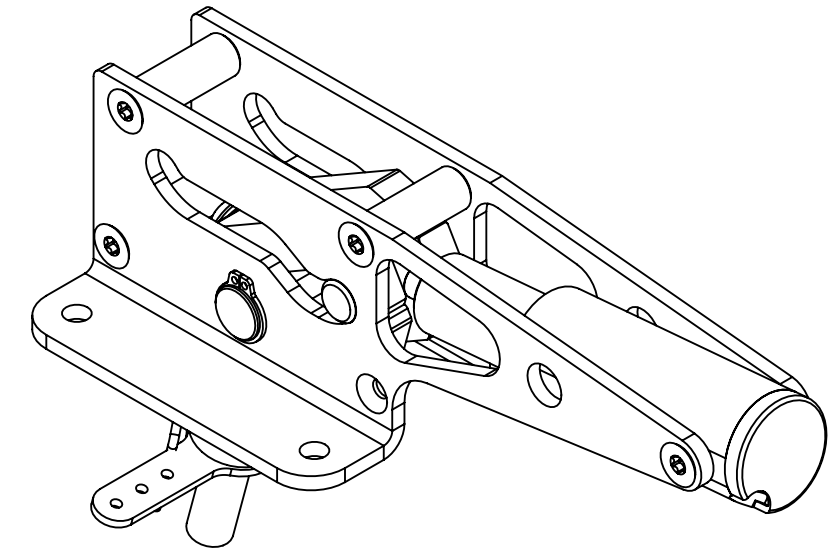
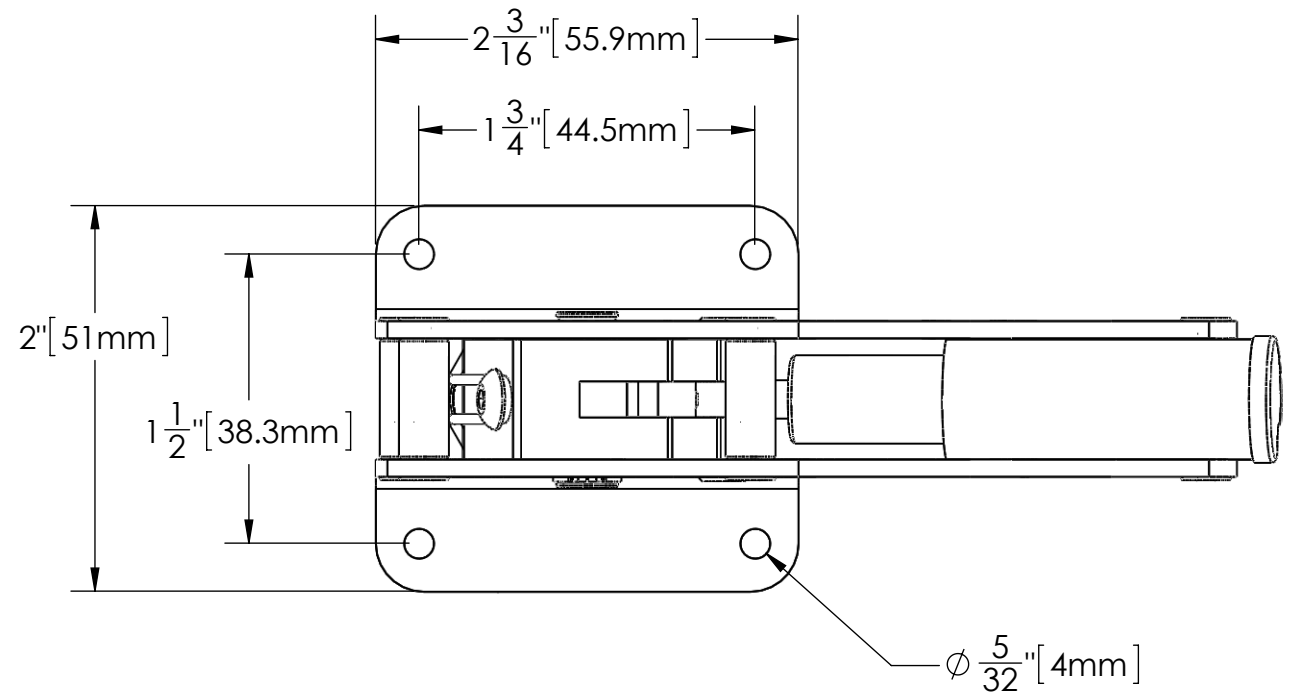
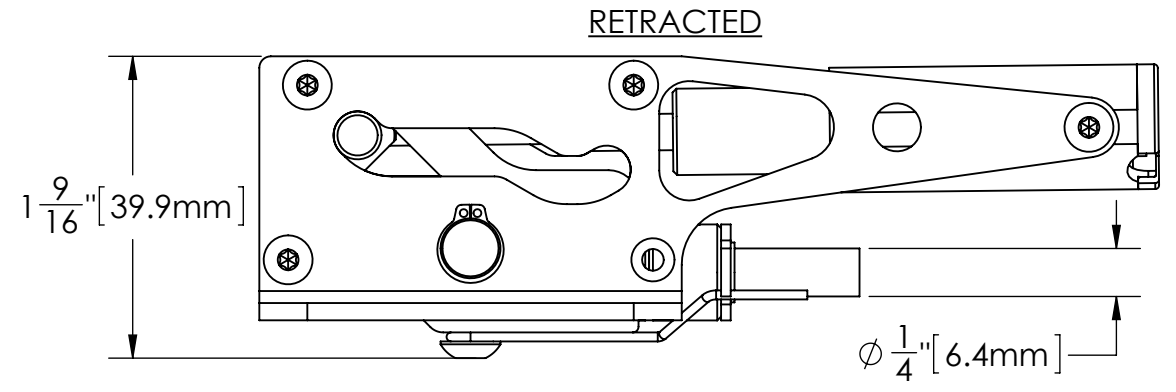
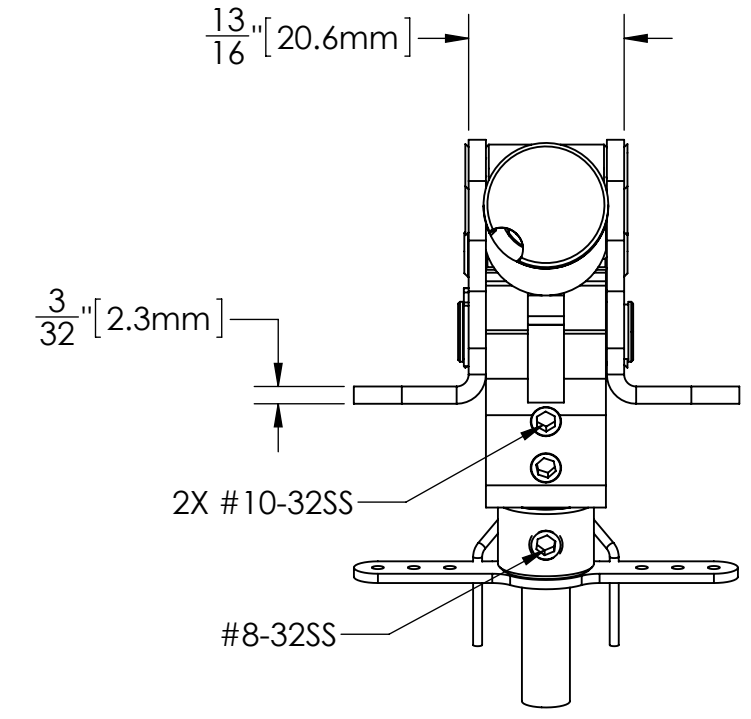


REVISIONS			
REV.	DESCRIPTION	DATE	APPROVED
1			



LEADS-12" [304.8mm]
HIDDEN IN OTHER VIEWS



UNITS:
INCH [mm]

ROBART MFG.		
TITLE: DIMENSIONAL DETAILS 640RSE		
SIZE B	DWG. NO. 640RSEDIM	REV -
SCALE: 1:1	WEIGHT:	SHEET 1 OF 1

PROPRIETARY AND CONFIDENTIAL	UNLESS OTHERWISE SPECIFIED:		NAME	DATE
THE INFORMATION CONTAINED IN THIS DRAWING IS THE SOLE PROPERTY OF ROBART MANUFACTURING. ANY REPRODUCTION IN PART OR AS A WHOLE WITHOUT THE WRITTEN PERMISSION OF ROBART MANUFACTURING IS PROHIBITED.	DIMENSIONS ARE IN INCHES	DRAWN	N.MARC	21JUL14
	TOLERANCES:	CHECKED		
	FRACTIONAL $\pm 1/32$	MFG APPR.		
	ANGULAR: MACH $\pm 1^\circ$ BEND $\pm 1^\circ$	Q.A.		
	TWO PLACE DECIMAL ± 0.01			
	THREE PLACE DECIMAL ± 0.005			
	FOUR PLACE DECIMAL ± 0.0005			