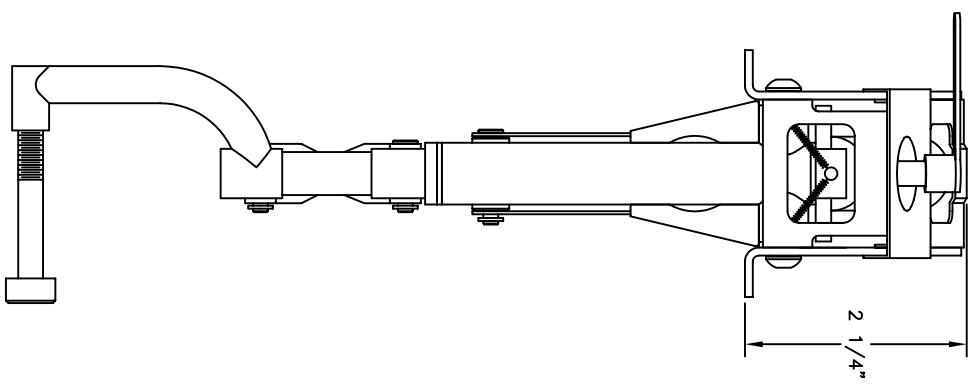
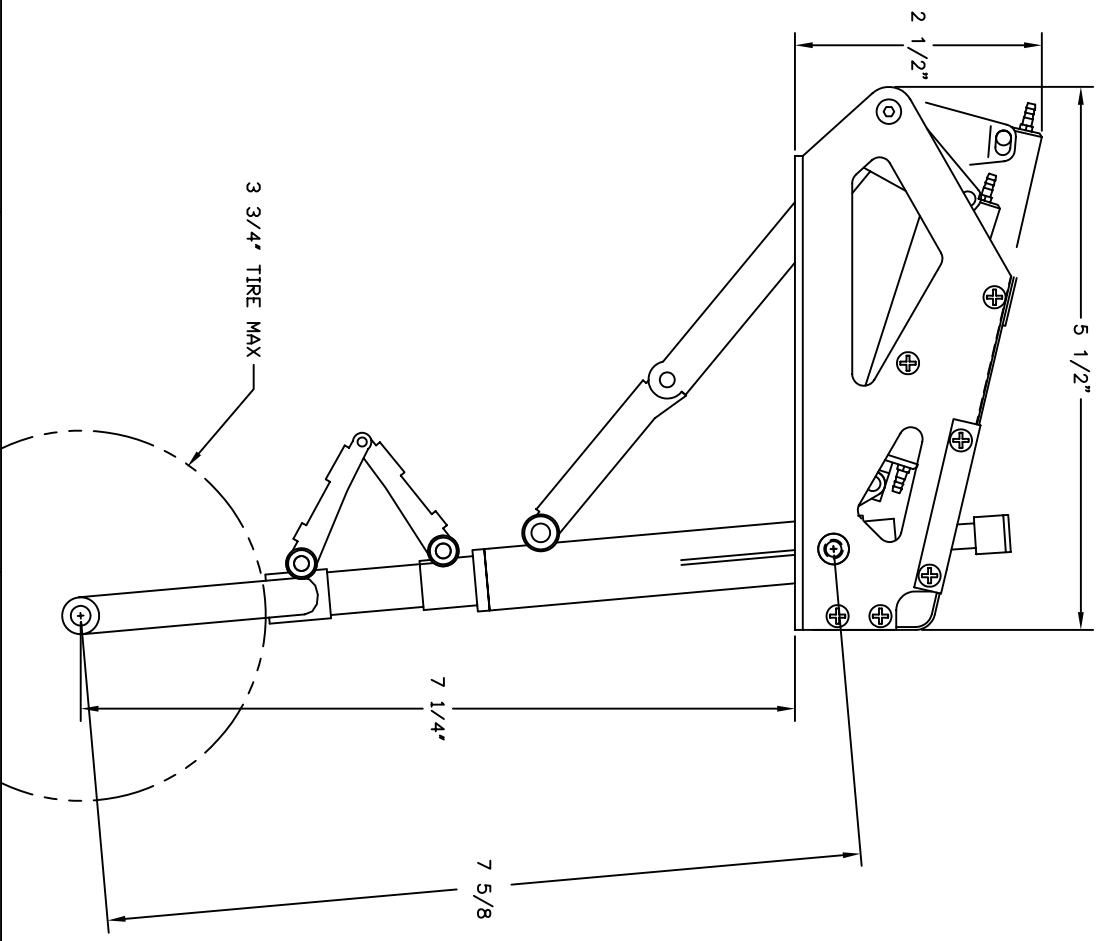
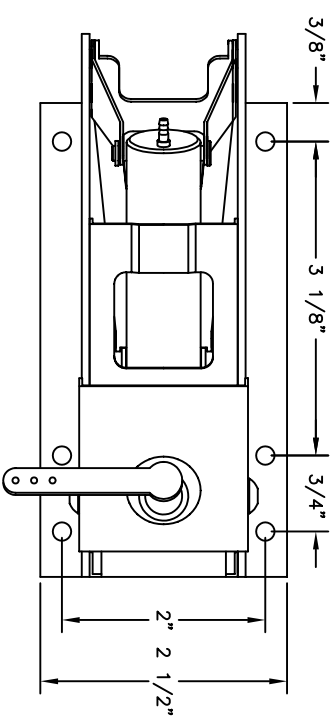


www.robart.com

MFG. INC.
625 N. 12TH ST.
ST. CHARLES, IL
(630) 584-7616

#163
MAIN GEAR
DETAIL

THIS DRAWING ITS CONTENTS AND INFORMATION, ARE CONFIDENTIAL, AND THE PROPERTY OF ROBART MFG. INC. IT MAY NOT BE USED, COPIED, AND / OR TRANSMITTED TO ANY PERSON, FIRM, OR CORPORATION WITHOUT THE PRIOR WRITTEN APPROVAL OF ROBART MFG. INC.



www.robart.com

MFG. INC.
625 N. 12TH ST.
ST. CHARLES, IL
(630) 584-7616

#163 NOSE GEAR DETAIL
ZIROLI 101" B-25

THIS DRAWING ITS CONTENTS AND INFORMATION, ARE CONFIDENTIAL, AND THE PROPERTY OF ROBERT MFG. INC. IT MAY NOT BE USED, COPIED, AND / OR TRANSMITTED TO ANY PERSON, FIRM, OR CORPORATION WITHOUT THE PRIOR WRITTEN APPROVAL OF ROBERT MFG. INC.