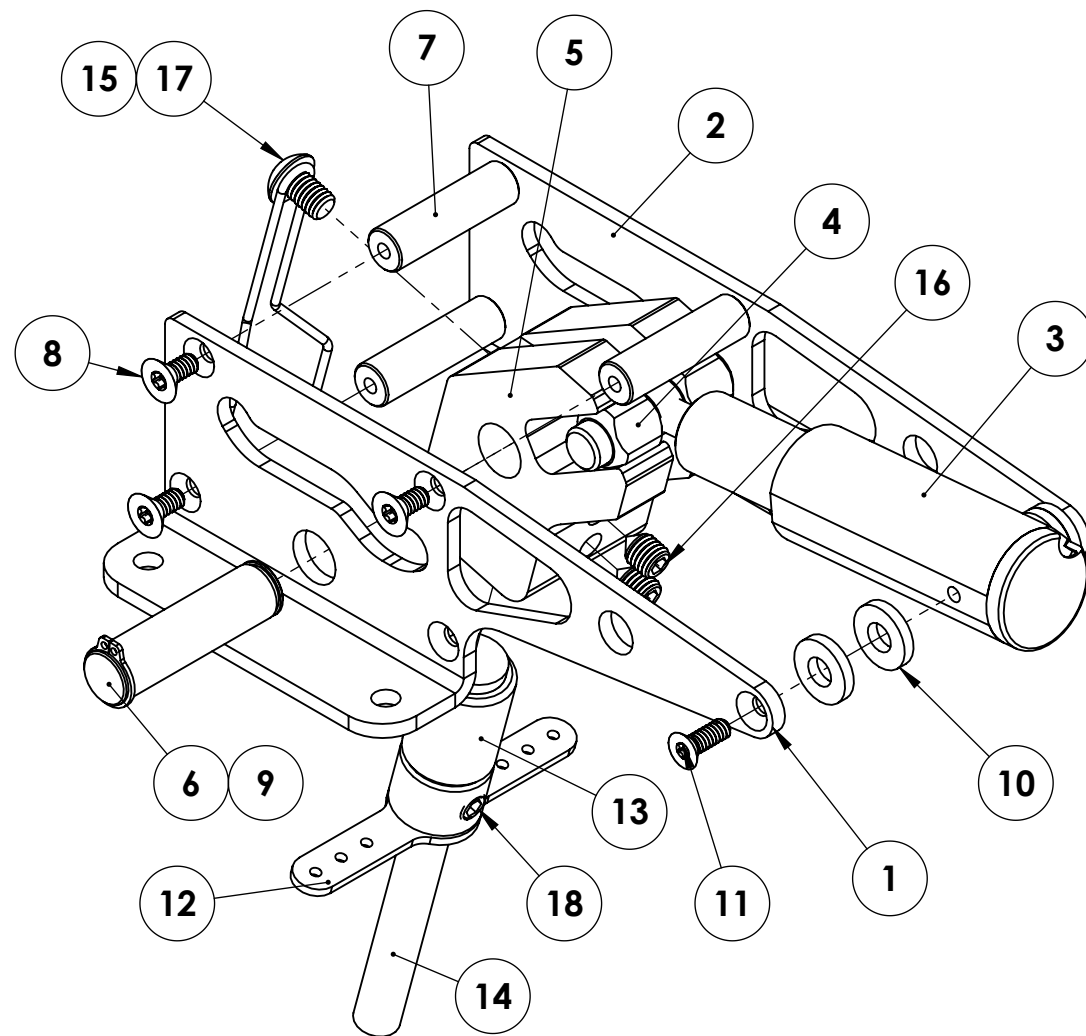


**NOTE: CONTROL BOX SHOULD BE SET TO "TYPE B"
FOR PROPER OPERATION**



SPARE PARTS LIST

QTY.	ITEM NO.	DESCRIPTION	PART #
1	1	105 DEG FRAME - LH	630017M
1	2	105 DEG FRAME - RH	630018M
1	3	PURCHASED ACTUATOR	635E202A
2	4	CAM FOLLOWER	635007M
1	5	MAIN GEAR TRUNION	635002M
1	6	TRUNION PIN	635010M
3	7	FRAME SPACER	635008M
6	8	#4-40 X 1/4" TORX FMS ZINC	1065F
2	9	PIN RETAINING RING	1132F
4	10	NYLON SPACER - BLACK	1203F
2	11	#4-40 x 5/16" TORX FMS ZINC	1304F
1	12	STEERING ARM ASSEMBLY	WB25204A
1	13	STEERING SHAFT BEARING	WB25211M
1	14	PIVOT PIN (AXLE)	145133M
1	15	STEERING WIRE	630021M
2	16	#10-32 X 5/16" SET SCREW	1077F
1	17	#8-32 X 1/4" BHSMS	1133F
1	18	#10-32 X 3/16 SET SCREW	1145F



155 OSWALT AVE.
BATAVIA, IL 60510
PH: 630-584-7616 FX:
630-584-3712

TITLE:

**105° HD NOSE RETRACT
ELECTRIC SERIES**

640HDRSESP

REV -

PROPRIETARY AND CONFIDENTIAL
THE INFORMATION CONTAINED IN THIS DRAWING IS THE SOLE
PROPERTY OF ROBERT MANUFACTURING. ANY REPRODUCTION
IN PART OR AS A WHOLE WITHOUT THE WRITTEN PERMISSION OF
ROBERT MANUFACTURING IS PROHIBITED.

	NAME	DATE
DRAWN	N.MARC	2/9/16
CHECKED		

906-528M