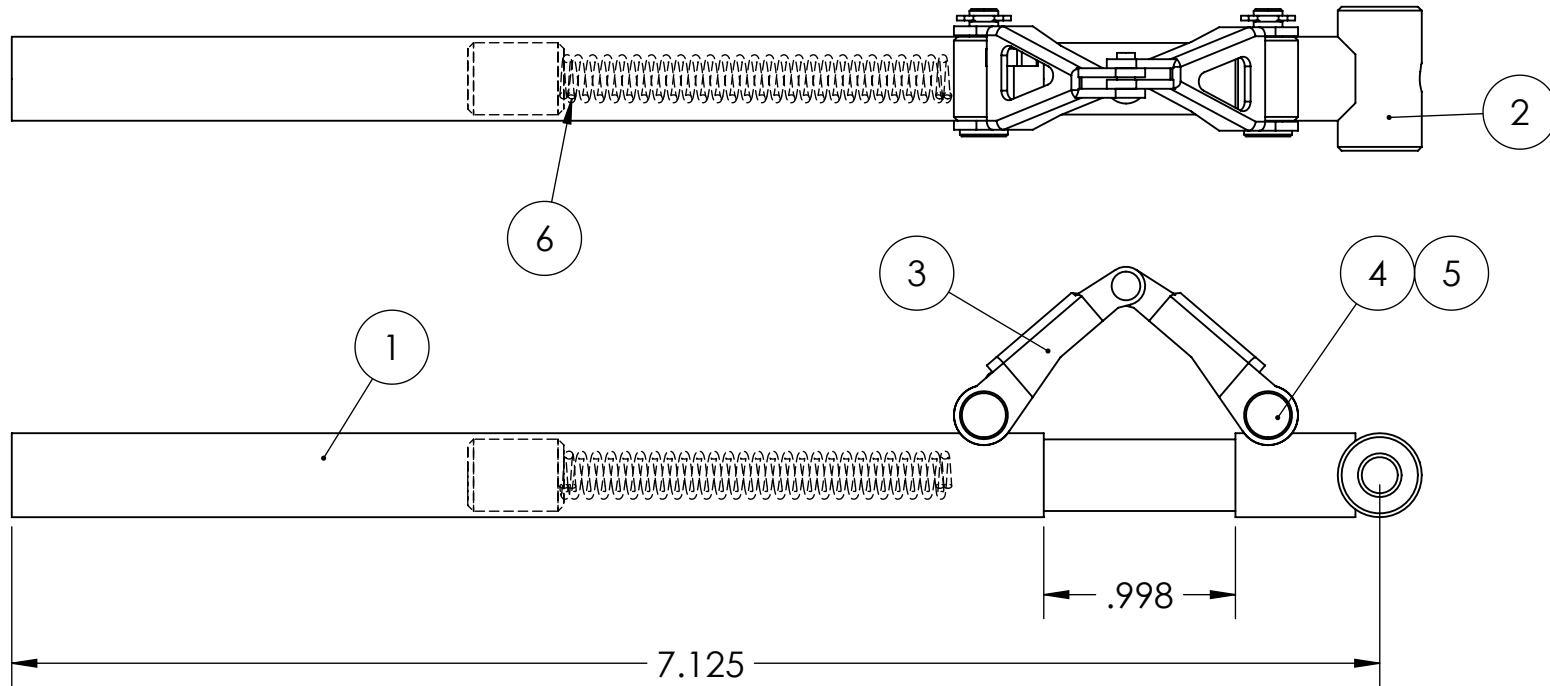


REVISIONS			
REV.	DESCRIPTION	DATE	APPROVED
A	DRAWN IN SOLIDWORKS	11/20/15	NM

BILL OF MATERIALS			
QTY.	ITEM NO.	DESCRIPTION	PART #
1	1	STRUT WELDMENT	660101A
1	2	OLEO ASSEMBLY	660102A
1	3	TORQUE LINK ASSEMBLY	620112A
2	4	CLEVIS PIN	620012M
2	5	E-CLIP	1039F
1	6	COMPRESSION SPRING	660006P

USE 4 3/4" SPRING



PARTS BAG ASSEMBLY - #660015A



MFG. INC. 155 OSWALT AVE.
BATAVIA, IL 60510

TITLE:

Ø 7/16" STRAIGHT
STRUT ASSEMBLY

PROPRIETARY AND CONFIDENTIAL	UNLESS OTHERWISE SPECIFIED:	NAME	DATE
THE INFORMATION CONTAINED IN THIS DRAWING IS THE SOLE PROPERTY OF ROBERT MANUFACTURING. ANY REPRODUCTION IN PART OR AS A WHOLE WITHOUT THE WRITTEN PERMISSION OF ROBERT MANUFACTURING IS PROHIBITED.	DIMENSIONS ARE IN INCHES	DRAWN	N.MARC 11/20/15
	TOLERANCES:	CHECKED	
	FRACTIONAL ± 1/32	MFG APPR.	
	ANGULAR: MACH ± BEND ±	Q.A.	
	TWO PLACE DECIMAL ±0.01		
	THREE PLACE DECIMAL ±0.005		
	FOUR PLACE DECIMAL ±0.0005		

SIZE	DWG. NO.	REV
A	660SP	A
SCALE: 1:1		SHEET 1 OF 1