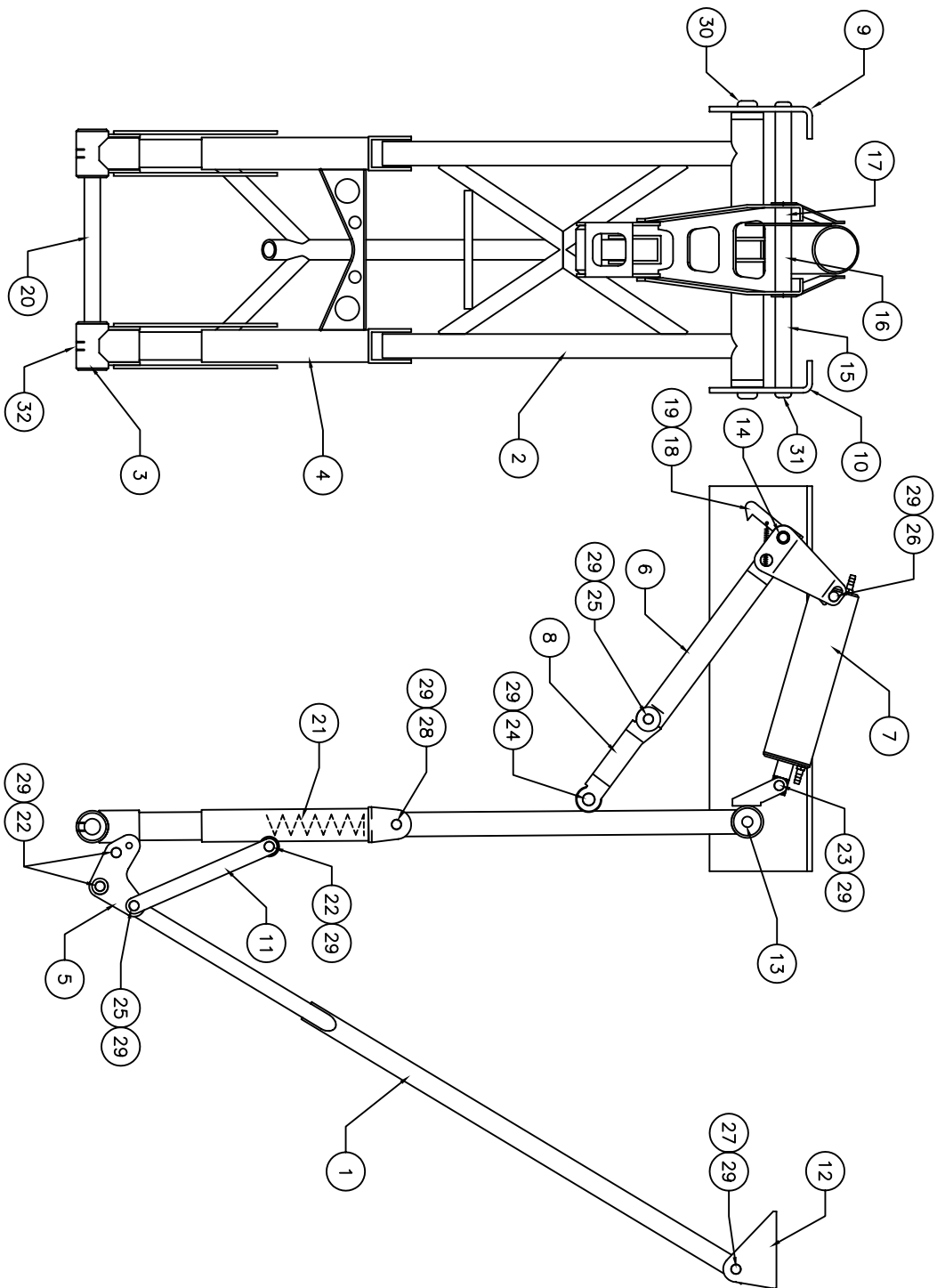


** THIS IS YOUR SPARE PARTS LIST. SAVE FOR FUTURE REFERENCE, ORDER BY PART NUMBER. CURRENT PRICES WILL BE QUOTED.**

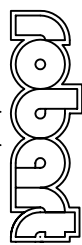


SPARE PARTS LIST

QTY	ITEM	DESCRIPTION	ASSY/PART #
1	1	YOKE ASSEMBLY	162-101A
1	2	UPPER TRUNION ASSEMBLY	162-102A
2	3	OLEO RAM ASSEMBLY	162-103A
1	4	LOWER TRUNION ASSEMBLY	162-104A
2	5	TORQUE ARM ASSEMBLY	162-105A
1	6	UPPER LIFT YOKE ASSEMBLY	162-106A
1	7	CYLINDER ASSEMBLY	150-108A
1	8	LOWER LIFT LINK	150-028M
1	9	SIDE FRAME (RH)	162-012M
1	10	SIDE FRAME (LH)	162-013M
4	11	TORQUE LINK	162-015M
1	12	YOKE BRACKET	162-017M
1	13	TRUNION CROSS BAR	162-014M
1	14	LIFT LINK CROSS BAR	162-019M
2	15	LIFT LINK SPACER TUBE	162-020M
1	16	LATCH SPACER TUBE	150-001M
1	17	LATCH SPACER TUBE	150-005M
1	18	LATCH PAWL	150-003M
1	19	SPRING	102-008M
1	20	AXLE	162-024M
2	21	SPRING	150-019P
6	22	CLEVIS PIN	150-002M
1	23	CLEVIS PIN	150-018M
1	24	CLEVIS PIN	150-010M
6	25	CLEVIS PIN	150-033M
1	26	CLEVIS PIN	150-012M
1	27	CLEVIS PIN	162-021M
2	28	CLEVIS PIN	620-012M
18	29	RETAINING RING	1039F
2	30	#8-32 HEX BUTTON HD SCREW	1064F
2	31	#6-32 HEX BUTTON HD SCREW	1020F
2	32	#10-32 SET SCREW	1199F

906-033M

FACTORY REPAIR FEE= \$25.00 PLUS PARTS

CHK'D BY			MFG. INC. 625 N. 12TH ST. ST. CHARLES, IL (630)584-7616
DRAWN BY	J. REHAK		
DATE	6-21-02	TITLE	DC-3 MAIN GEAR
MODEL No.	#162		