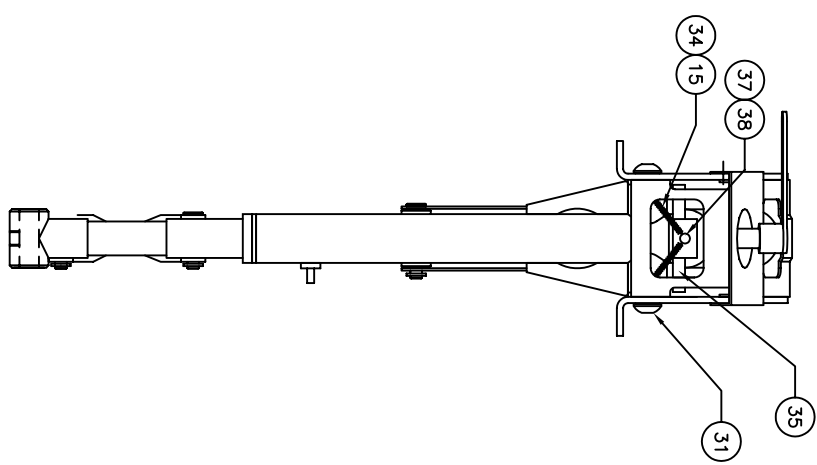
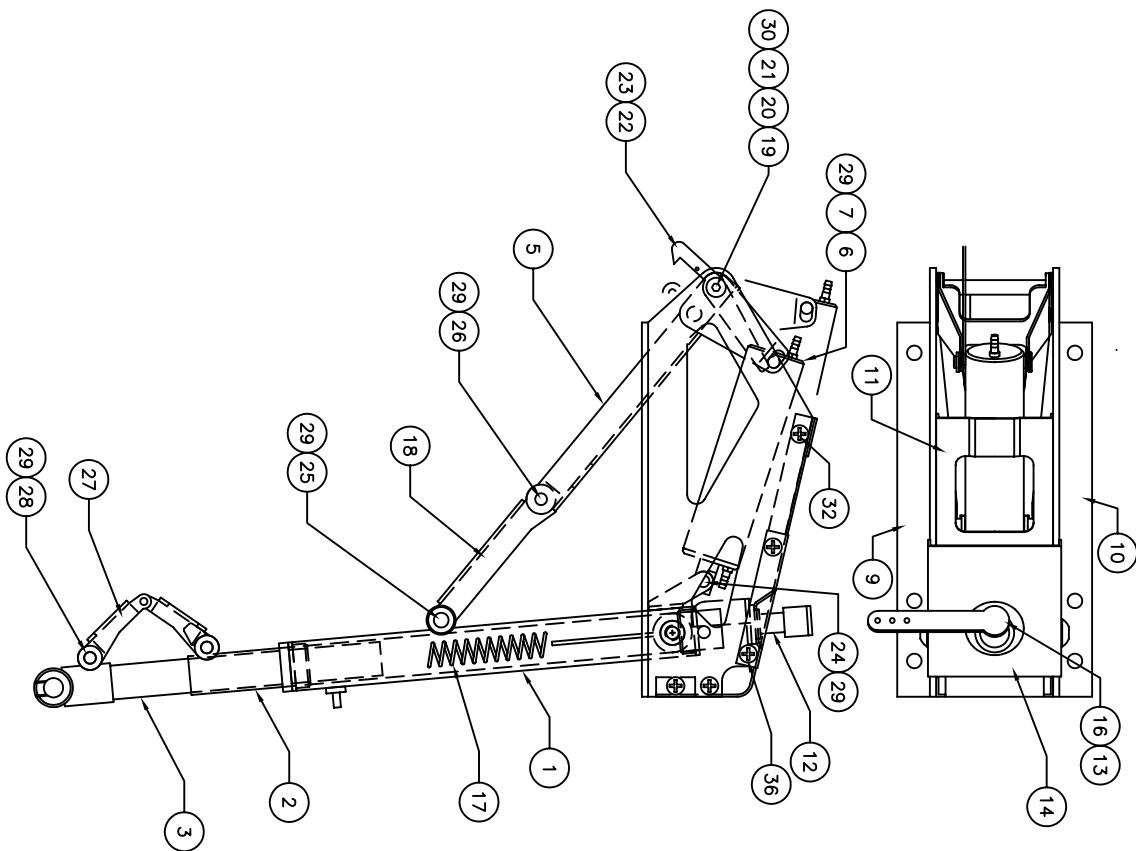


** THIS IS YOUR SPARE PARTS LIST. SAVE FOR FUTURE REFERENCE, ORDER BY PART NUMBER. CURRENT PRICES WILL BE QUOTED.**



SPARE PARTS LIST

| QTY | ITEM | DESCRIPTION | ASSY/PART # |
|-----|------|-----------------------------|-------------|
| 1 | 1 | STRUT ASSEMBLY | 158-102A |
| 1 | 2 | ROTATING STRUT ASSEMBLY | 158-103A |
| 1 | 3 | OLEO RAM ASSEMBLY | 622-125A |
| 1 | 4 | 1/4" THIN WASHER | 1105F |
| 1 | 5 | LIFT YOKE ASSEMBLY | 150-105A |
| 1 | 6 | CYLINDER ASSEMBLY | 150-108A |
| 1 | 7 | CYLINDER PIVOT PIN | 150-012M |
| 1 | 8 | 1/4-20 THIN JAM NUT | 1106F |
| 1 | 9 | SIDE FRAME (RH) | 150-037M |
| 1 | 10 | SIDE FRAME (LH) | 150-036M |
| 1 | 11 | SPACER BRACKET | 150-038M |
| 1 | 12 | STEERING YOKE ASSEMBLY | 158-106A |
| 1 | 13 | STEERING ARM ASSEMBLY | 158-105A |
| 1 | 14 | STEERING BRACKET ASSEMBLY | 158-104A |
| 2 | 15 | SPRING | 158-001P |
| 1 | 16 | SET SCREW | 1060F |
| 1 | 17 | SPRING | 150-019P |
| 1 | 18 | LIFT LINK | 150-031M |
| 1 | 19 | LIFT YOKE PIVOT PIN | 150-004M |
| 1 | 20 | LATCH SPACER | 150-001M |
| 1 | 21 | LATCH SPACER | 150-005M |
| 1 | 22 | LATCH PAWL | 150-003M |
| 1 | 23 | LATCH SPRING | 102-008M |
| 1 | 24 | ACTUATOR CLEVIS PIN | 150-018M |
| 1 | 25 | LIFT LINK PIN | 150-010M |
| 2 | 26 | YOKE CLEVIS PIN | 150-033M |
| 1 | 27 | TORQUE LINK ASSEMBLY | 620-112A |
| 2 | 28 | TORQUE LINK CLEVIS PIN | 620-012M |
| 7 | 29 | RETAINING RING | 1039F |
| 2 | 30 | #4-40 x 3/16" BHSMs | 1022F |
| 2 | 31 | #10-32 x 1/4 B.H.C.S. | 1021F |
| 6 | 32 | #4 x 1/4 PPHSMs | 1026F |
| 1 | 33 | AXLE SCREW 1/4-20 | 1096F |
| 3 | 34 | #2-56 x 1/4 F.H.M.C. | 1083F |
| 1 | 35 | ROTATING SHAFT STEERING PIN | 158-006M |
| 4 | 36 | #4-40 x 1/4 PPHMS | 1051F |
| 1 | 37 | #2-56 x 1/2" SHCS | 1055F |
| 1 | 38 | 1/8" OD ALUMINUM TUBE | 102-009P |

CHK'D BY
 DRAWN BY J. REHAK
 DATE 3/04
 MODEL No. 158S



MFG. INC.
 625 N. 12TH ST.
 ST. CHARLES, IL
 (630)584-7616
 www.robot.com

TITLE STEERABLE PNEUMATIC RETRACT
 NOSE GEAR WITH 4" OFFSET
 FACTORY REPAIR FEE= \$25.00 PLUS PARTS