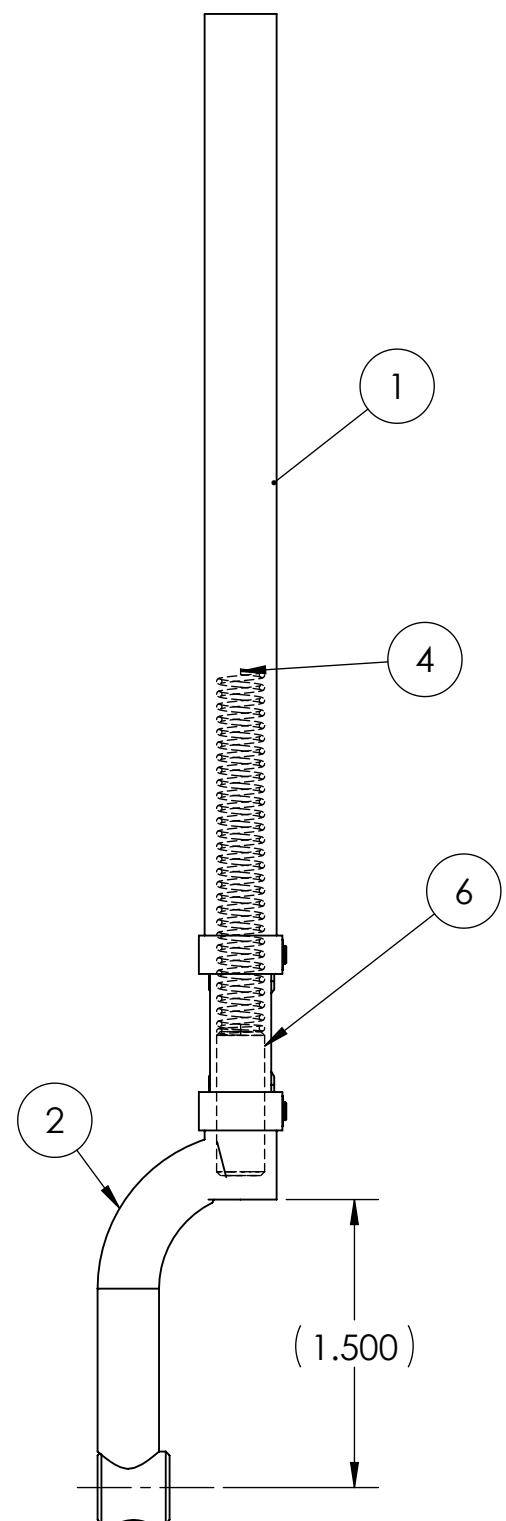
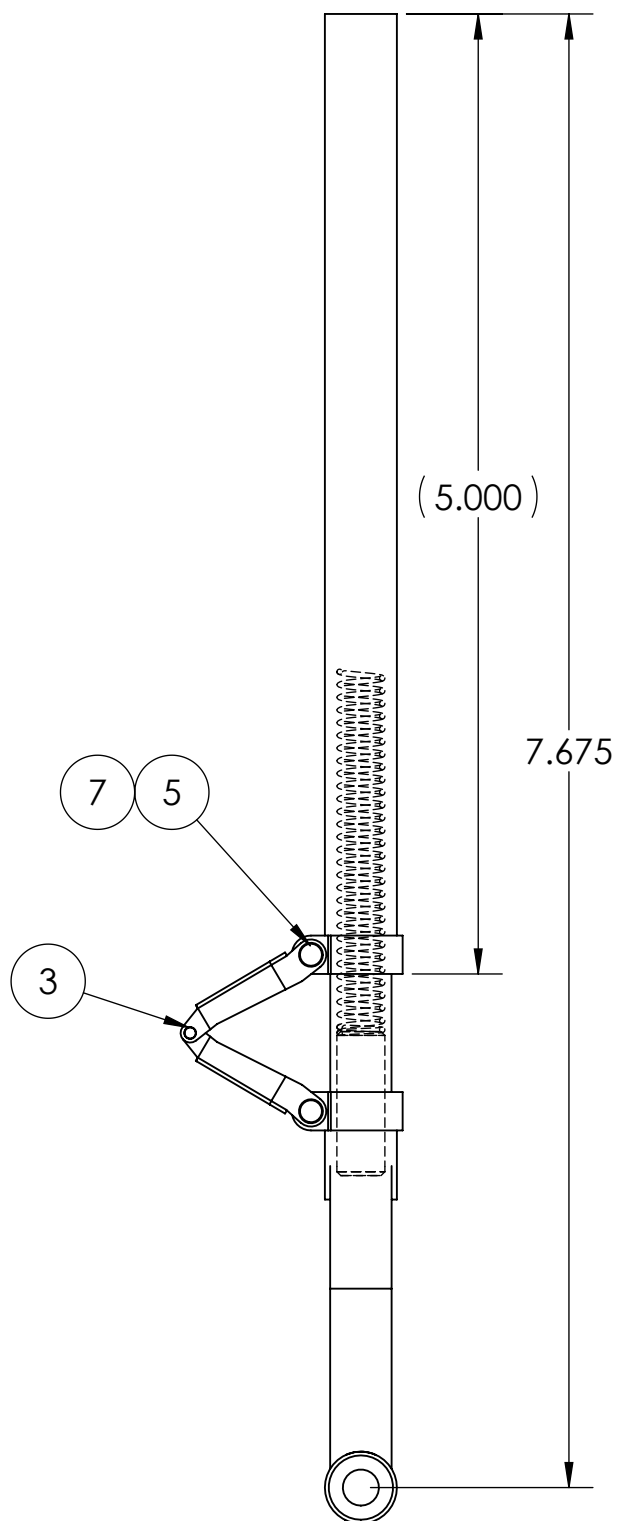


REVISIONS			
REV.	DESCRIPTION	DATE	APPROVED
C	DRAWN IN SOLIDWORKS; REMOVED AXLE & SS	10/8/15	NM

BILL OF MATERIALS			
QTY.	ITEM NO.	DESCRIPTION	PART #
1	1	STRUT TUBE ASSEMBLY	650001A
1	2	OLEO RAM ASSEMBLY-LH	652003A
1	3	TORQUE LINK ASSEMBLY	650003A
1	4	COMPRESSION SPRING	650038P
2	5	CLEVIS PIN	650014M
1	6	STRUT PLUG - 3/4"	651001M
2	7	E CLIP	1062F



B3DFE439 Ž° ('"" # 3

robart MFG. INC. 155 OSWALT AVE.
BATAVIA, IL 60510

TITLE:
**3/8" ROBOSTRUT
OFFSET FOR 2 1/2"-2 3/4"
WHEELS (LH)**

PROPRIETARY AND CONFIDENTIAL THE INFORMATION CONTAINED IN THIS DRAWING IS THE SOLE PROPERTY OF ROBERT MANUFACTURING. ANY REPRODUCTION IN PART OR AS A WHOLE WITHOUT THE WRITTEN PERMISSION OF ROBERT MANUFACTURING IS PROHIBITED.	UNLESS OTHERWISE SPECIFIED:		NAME	DATE	SIZE B	DWG. NO. 652L	REV C
	DIMENSIONS ARE IN INCHES	DRAWN	N.MARC	10/8/15			
	TOLERANCES:	CHECKED					
	FRACTIONAL ± 1/32	MFG APPR.					
ANGULAR: MACH ± 1°	Q.A.				SCALE: 1:1	WEIGHT:	SHEET 1 OF 1
TWO PLACE DECIMAL ± 0.01							
THREE PLACE DECIMAL ± 0.005							
FOUR PLACE DECIMAL ± 0.0005							