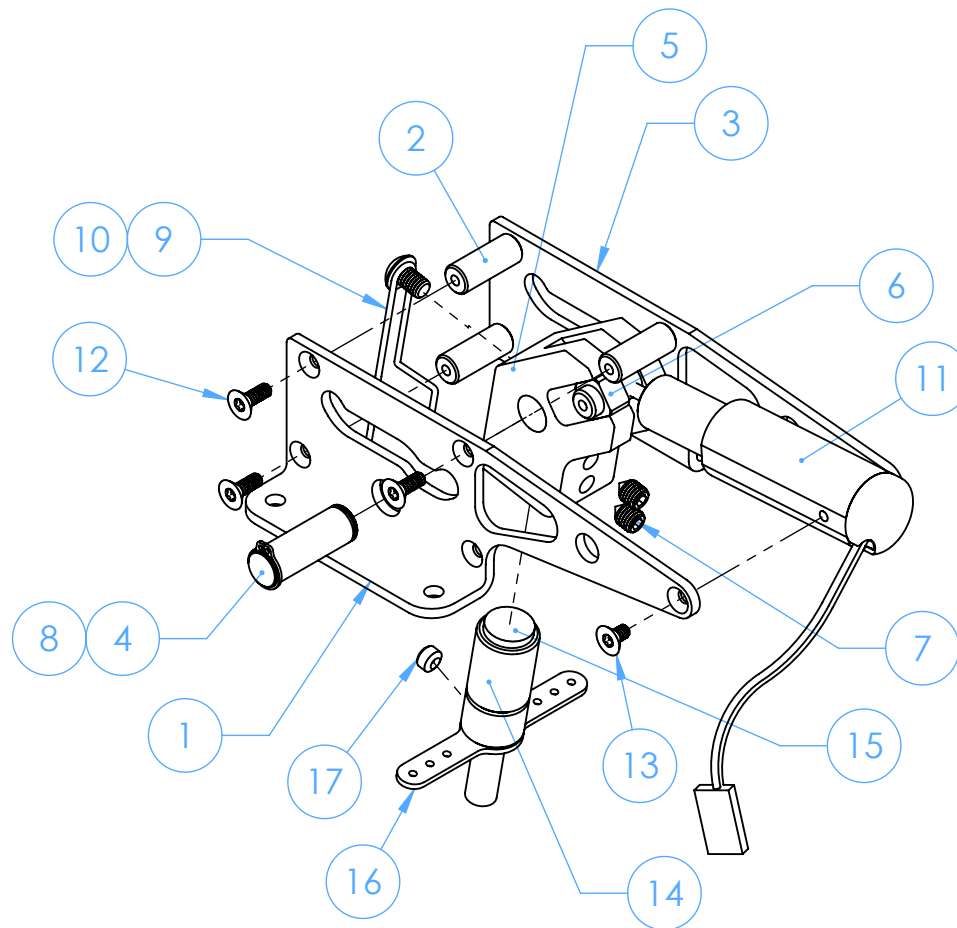


BILL OF MATERIAL

QTY.	ITEM NO.	DESCRIPTION	PART NUMBER
1	1	100 DEG FRAME (LH)	630015M
3	2	FRAME SPACER	630005M
1	3	100 DEG FRAME (RH)	630016M
1	4	TRUNION PIN	630333M
1	5	NOSE GEAR TRUNION	630023M
2	6	CAM FOLLOWER	630E211M
2	7	#10-32 X 5/16" SET SCREW	1077F
2	8	PIN RETAINING RING	1132F
1	9	STEERING WIRE	630021M
1	10	#8-32 X 1/4" BHSMS	1133F
1	11	NOSE ACTUATOR ASSEMBLY	630E202A
6	12	4-40 X 5/16 TORX FMS ZINC	1065F
2	13	4-40 X 3/16 TORX FMS ZINC	1265F
1	14	STEERING BUSHING	WB25211M
1	15	PIVOT PIN (AXLE)	145133M
1	16	STEERING ARM	WB25204A
1	17	#10-32 X 3/16 SET SCREW	1145F



906-484M

PROPRIETARY AND CONFIDENTIAL
 THE INFORMATION CONTAINED IN THIS DRAWING IS THE SOLE PROPERTY OF ROBART MANUFACTURING. ANY REPRODUCTION IN PART OR AS A WHOLE WITHOUT THE WRITTEN PERMISSION OF ROBART MANUFACTURING IS PROHIBITED.

	NAME	DATE
DRAWN	J. REHAK	02MAY14
CHECKED		

robart
 www.robart.com

625 N. 12TH ST.
 ST. CHARLES, IL 60174
 PH: 630-584-7616
 FX: 630-584-3712

TITLE:

**100° ELECTRIC NOSE
 RETRACT**

639RSESP

REV -