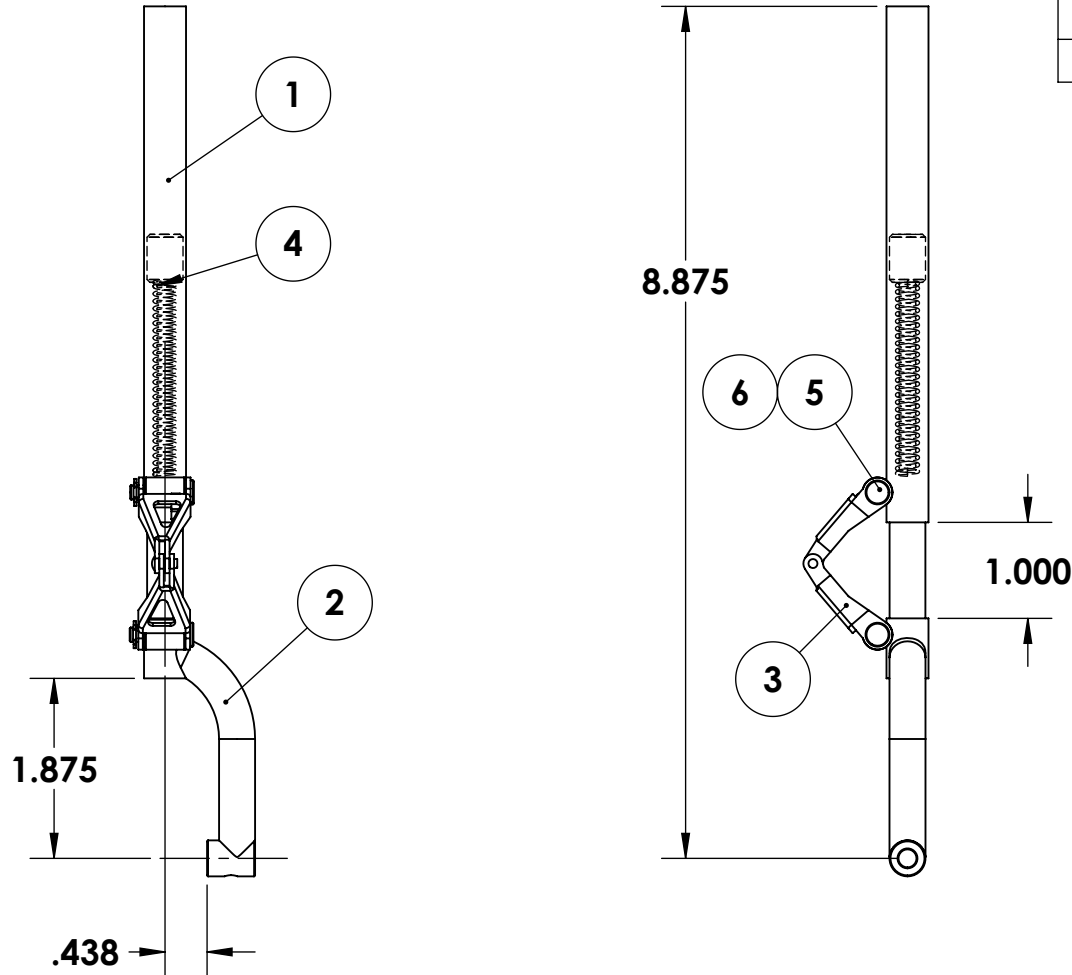


REVISIONS			
REV.	DESCRIPTION	DATE	APPROVED
E	DRAWN IN SOLIDWORKS	6/7/16	NM

BILL OF MATERIALS			
QTY.	ITEM NO.	DESCRIPTION	PART #
1	1	STRUT WELDMENT	660101A
1	2	OLEO RAM WELDMENT LH	662103A
1	3	TORQUE LINK ASSEMBLY	620112A
1	4	COMPRESSION SPRING	660006P
2	5	CLEVIS PIN	620012M
2	6	E-CLIP	1039F



PARTS BAG ASSEMBLY - #660015A

**robart** MFG. INC. 155 OSWALT AVE.  
BATAVIA, IL 60510

TITLE:  
**Ø 7/16" | 3 1/2" LH  
OFFSET STRUT ASSEMBLY**

PROPRIETARY AND CONFIDENTIAL	UNLESS OTHERWISE SPECIFIED:	NAME	DATE
THE INFORMATION CONTAINED IN THIS DRAWING IS THE SOLE PROPERTY OF ROBART MANUFACTURING. ANY REPRODUCTION IN PART OR AS A WHOLE WITHOUT THE WRITTEN PERMISSION OF ROBART MANUFACTURING IS PROHIBITED.	DIMENSIONS ARE IN INCHES TOLERANCES: FRACTIONAL ± 1/32 ANGULAR: MACH ± BEND ± TWO PLACE DECIMAL ±0.01 THREE PLACE DECIMAL ±0.005 FOUR PLACE DECIMAL ±0.0005	DRAWN	N.MARC 6/7/16
		CHECKED	
		MFG APPR.	
		Q.A.	

SIZE <b>A</b>	DWG. NO. <b>662L</b>	REV <b>E</b>
SCALE: 1:2		SHEET 1 OF 1