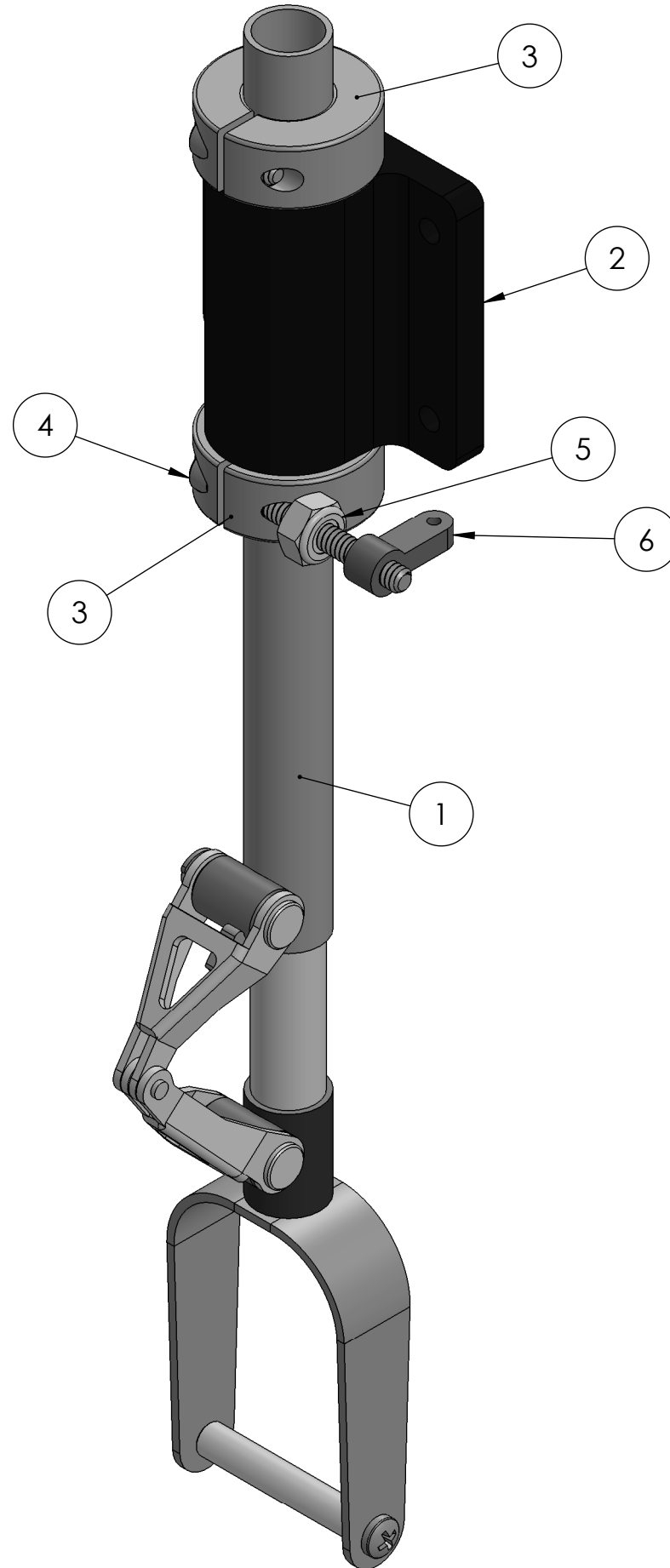


REVISIONS			
REV.	DESCRIPTION	DATE	APPROVED
-	PRODUCTION RELEASE	14OCT14	JR
A	STEERING ARM AND NUT WERE SWITCHED	5/21/15	NM

BILL OF MATERIAL			
QTY.	ITEM NO.	DESCRIPTION	PART NUMBER
1	1	ASSEMBLED YOKE STRUT	664100A
1	2	MOUNTING BLOCK	664003M
2	3	SHAFT COLLAR	664004P
1	4	#6-32 X 1-1/4" SHCS	1029F
1	5	#6-32 LOCK NUT	1041F
1	6	STEERING CLEVIS ARM	664007M



**ASSEMBLY NOTES:**

1. REPLACE SCREW IN LOWER SHAFT COLLAR WITH ITEM 4
2. ASSEMBLE STEERING BUCKLE AND LOCK NUT AS SHOWN
3. ASSEMBLE LOWER SHAFT COLLAR TO STRUT
4. GREASE MOUNTING BLOCK AND ASSEMBLE TO STRUT
5. LEAVE STOCK SCREW IN UPPER SHAFT COLLAR
6. ASSEMBLY UPPER SHAFT COLLAR SO BLOCK SPINS FREELY

PARTS BAG ASSEMBLY - #607103A

<b>PROPRIETARY AND CONFIDENTIAL</b> THE INFORMATION CONTAINED IN THIS DRAWING IS THE SOLE PROPERTY OF ROBERT MANUFACTURING. ANY REPRODUCTION IN PART OR AS A WHOLE WITHOUT THE WRITTEN PERMISSION OF ROBERT MANUFACTURING IS PROHIBITED.	UNLESS OTHERWISE SPECIFIED:		NAME	DATE
	DIMENSIONS ARE IN INCHES		DRAWN	J. REHAK
	TOLERANCES:		CHECKED	14OCT14
	FRACTIONAL ± 1/32 ANGULAR: MACH ± 1° BEND ± 1° TWO PLACE DECIMAL ± 0.01 THREE PLACE DECIMAL ± 0.005 FOUR PLACE DECIMAL ± 0.0005		MFG APPR.	
		Q.A.		

ROBART MFG.		
TITLE: Ø 7/16" YOKE STRUT W/ MOUNTING BLOCK		
SIZE <b>B</b>	DWG. NO. <b>664M</b>	REV <b>A</b>
SCALE: 5:4	WEIGHT:	SHEET 1 OF 1