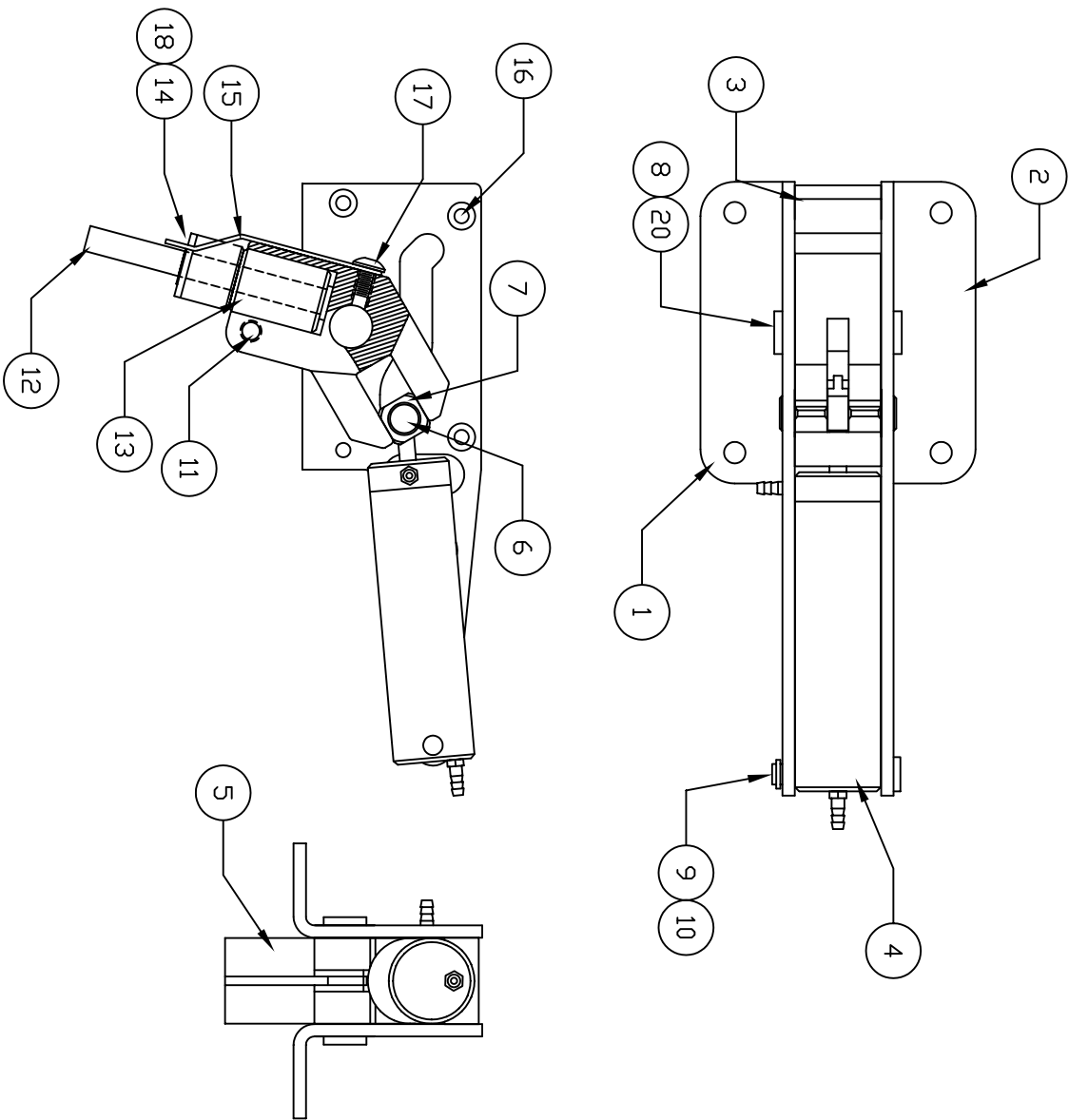


** THIS IS YOUR SPARE PARTS LIST. SAVE FOR FUTURE REFERENCE, ORDER BY PART NUMBER. CURRENT PRICES WILL BE QUOTED.**

SPARE PARTS LIST

QTY	ITEM	DESCRIPTION	ASS'Y/PART #
1	1	SIDE FRAME (LH)	630-017M
1	2	SIDE FRAME (RH)	630-018M
3	3	FRAME SPACER	630-005M
1	4	CYLINDER ASSEMBLY	630-102A
1	5	TRUNION	630-003M
1	6	CAM PIN	630-012M
2	7	CAM FOLLOWER	630-011M
1	8	TRUNION PIN	630-333M
1	9	CLEVIS PIN	150-012M
1	10	RETAINING RING	1039F
1	11	CLAMP SCREW	1110F
1	12	PIVOT PIN (AXLE)	650-010M
1	13	STEERING SHAFT BEARING	630-025M
1	14	STEERING ARM ASSEMBLY	630-106A
1	15	STEERING SPRING	630-021M
6	16	#4-40 x 1/4" PPHMS	1047F
1	17	#8-32 x 1/4 BHCS	1133F
1	18	#8-32 x 3/16 KCPSS	1198F
1	19		
2	20	TRUNION PIN RETAINING RING	1132F



906-211M

FACTORY REPAIR FEE= \$25.00 PLUS PARTS

CHK'D BY		MFG. INC.
DRAWN BY	J. REHAK	625 N. 12TH ST. ST. CHARLES, IL (630)584-7616
DATE	3/04	
MODEL No.	640RS	TITLE 105° RETRACT MECHANISM FOR 1/2" DIA. STRUT STEERABLE NDSE GEAR
www.robart.com		