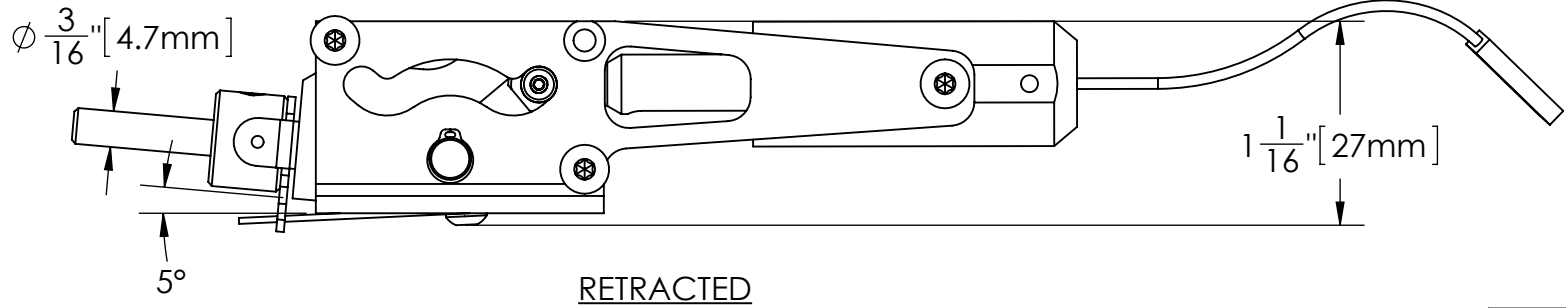
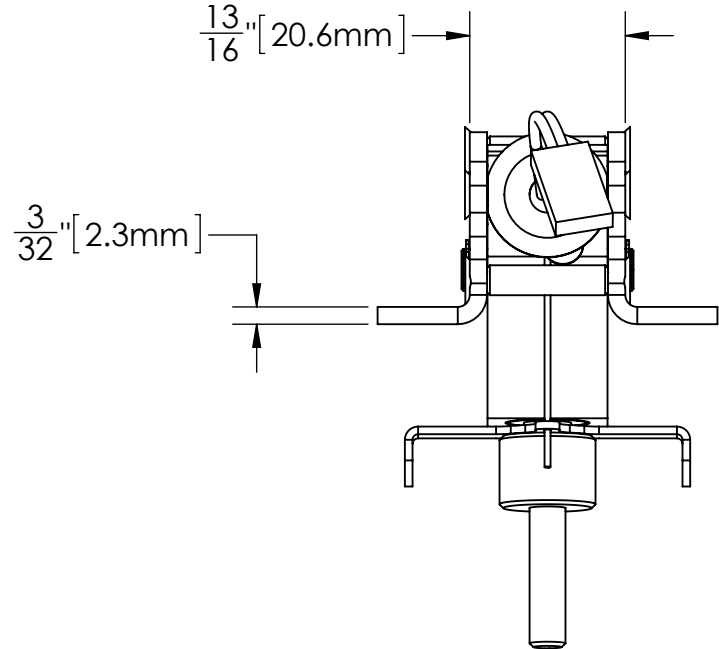
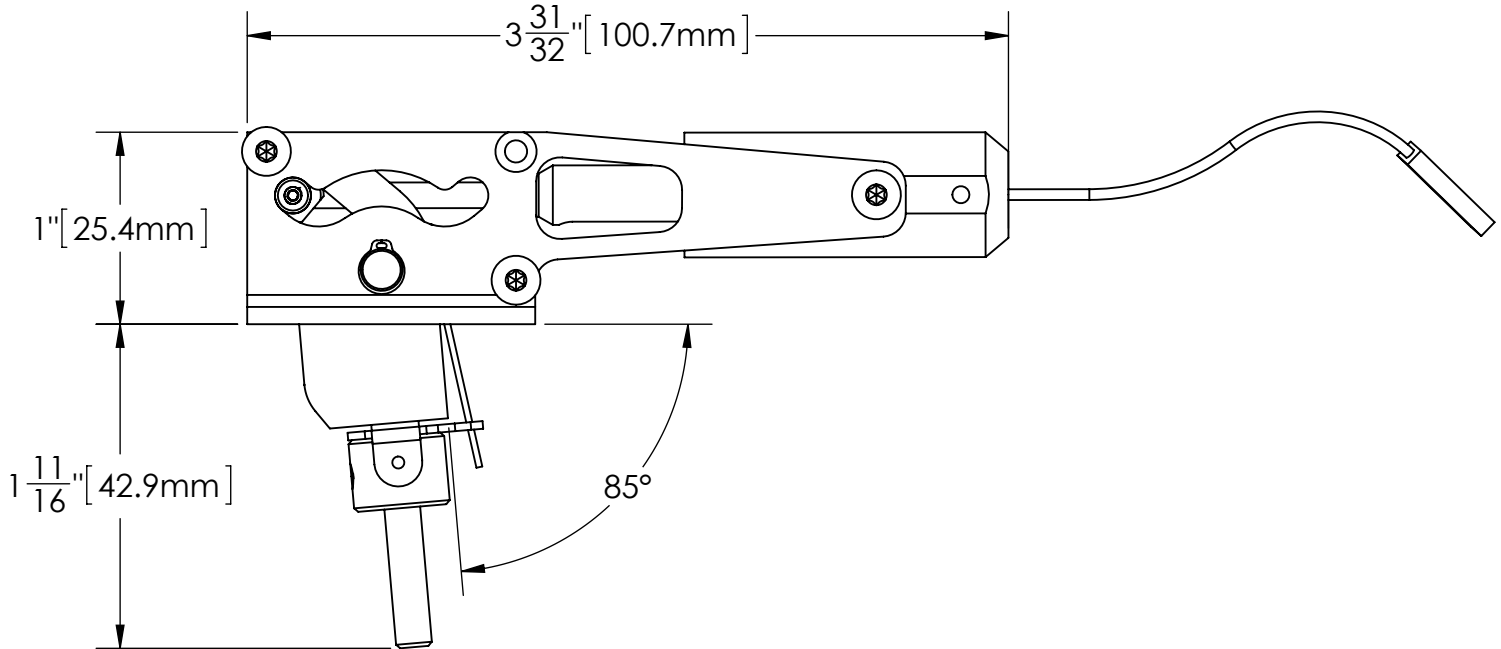
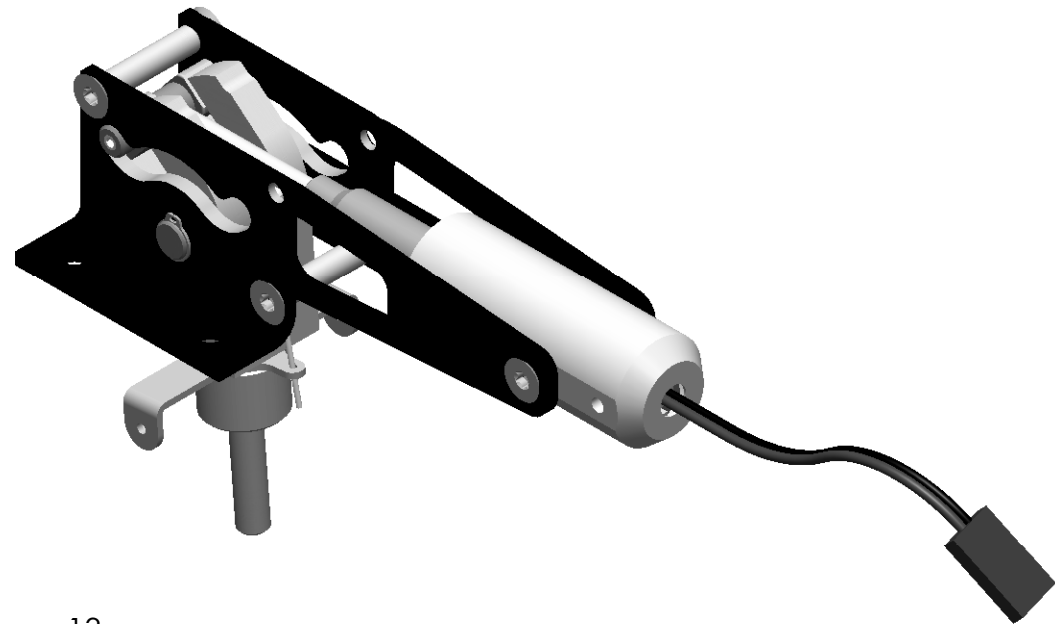
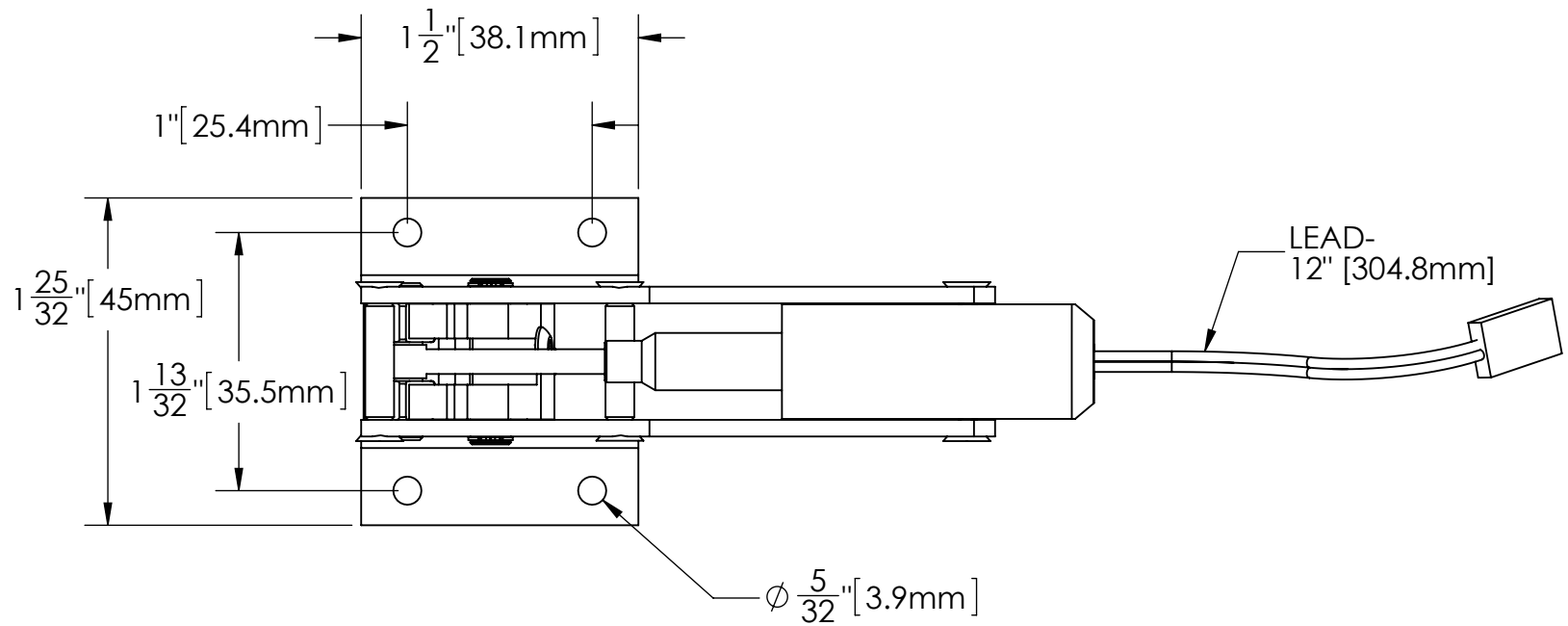


REVISIONS			
REV.	DESCRIPTION	DATE	APPROVED



RETRACTED

PROPRIETARY AND CONFIDENTIAL		UNLESS OTHERWISE SPECIFIED:		NAME	DATE	
THE INFORMATION CONTAINED IN THIS DRAWING IS THE SOLE PROPERTY OF ROBERT MANUFACTURING. ANY REPRODUCTION IN PART OR AS A WHOLE WITHOUT THE WRITTEN PERMISSION OF ROBERT MANUFACTURING IS PROHIBITED.		DIMENSIONS ARE IN INCHES		DRAWN	N.MARC	
		TOLERANCES:		CHECKED	21JUL14	
		FRACTIONAL ± 1/32		MFG APPR.		
		ANGULAR: MACH ± 1° BEND ± 1°		Q.A.		
TWO PLACE DECIMAL ± 0.01						
THREE PLACE DECIMAL ± 0.005						
FOUR PLACE DECIMAL ± 0.0005						
TITLE: DIMENSIONAL DETAILS 543RSE			SIZE	DWG. NO.	REV	
			B	543RSE DIM	-	
SCALE: 1:1			WEIGHT:	SHEET 1 OF 1		