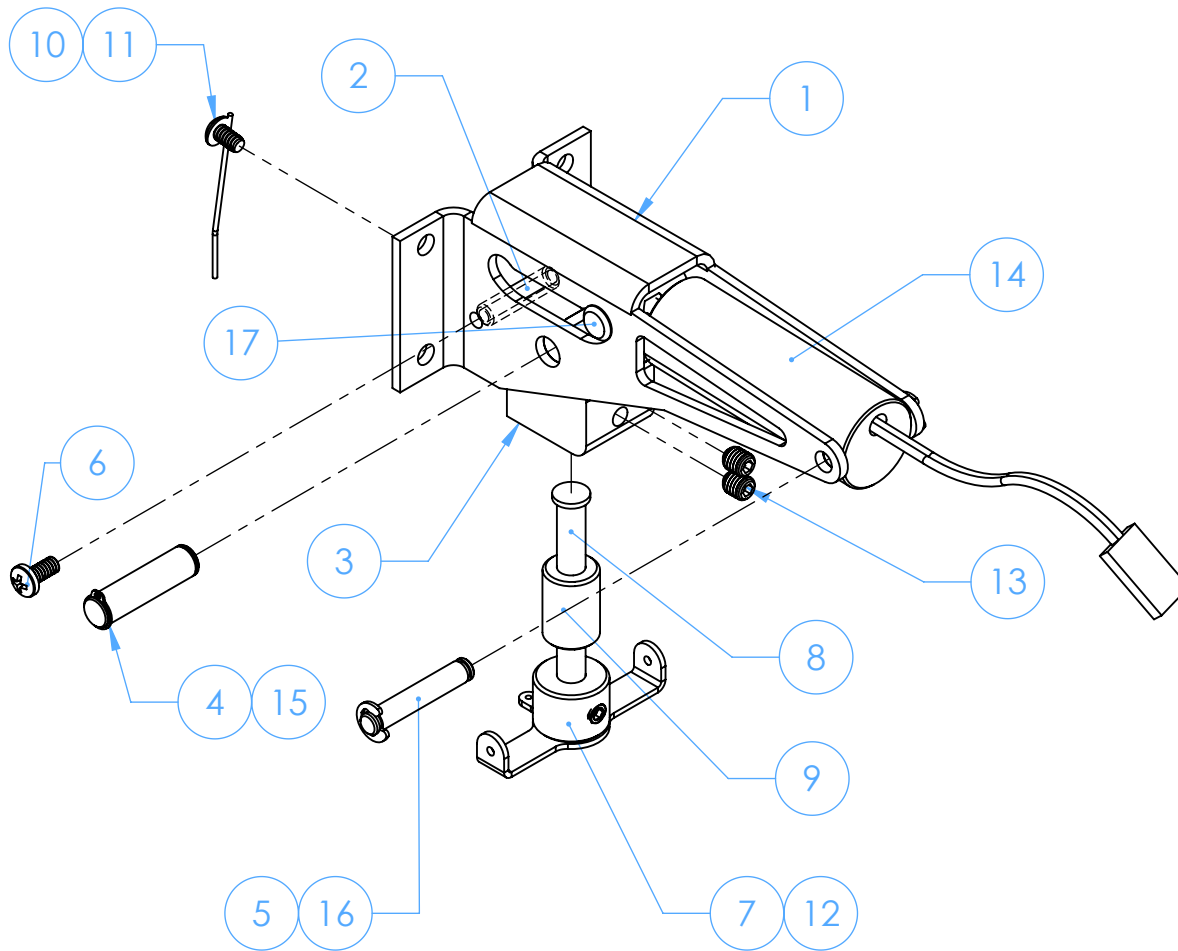


SPARE PARTS LIST

| QTY. | ITEM | DESCRIPTION | PART # |
|------|------|-------------------------|----------|
| 1 | 1 | 90° FIREWALL FRAME | 515001M |
| 1 | 2 | FRAME SPACER (SMALL) | 530021M |
| 1 | 3 | MAIN GEAR TRUNION | 510002M |
| 2 | 4 | RETAINING RING | 1125F |
| 2 | 5 | E-CLIP | 1039F |
| 2 | 6 | #4-40 X 1/4" BHMS | 1047F |
| 1 | 7 | STEERING ARM ASSEMBLY | 530125A |
| 1 | 8 | AXLE PIN | 650010M |
| 1 | 9 | STEERING BEARING | 510005M |
| 1 | 10 | CENTERING SPRING | 550230M |
| 1 | 11 | #4-40 x 3/16" BHSMS | 1022F |
| 1 | 12 | SET SCREW 8-32, 5/16" | 1148F |
| 2 | 13 | #8-32 X 3/16" SET SCREW | 1198F |
| 1 | 14 | ELECTRIC ACTUATOR | 510E108A |
| 1 | 15 | TRUNION PIN | 510026M |
| 1 | 16 | CLEVIS PIN | 510025M |
| 1 | 17 | CAM PIN | 630012M |



906-473M

PROPRIETARY AND CONFIDENTIAL
 THE INFORMATION CONTAINED IN THIS DRAWING IS THE SOLE PROPERTY OF ROBART MANUFACTURING. ANY REPRODUCTION IN PART OR AS A WHOLE WITHOUT THE WRITTEN PERMISSION OF ROBART MANUFACTURING IS PROHIBITED.

| | NAME | DATE |
|---------|----------|---------|
| DRAWN | J. REHAK | 15APR14 |
| CHECKED | | |

robart
 www.robart.com

155 OSWALT AVE.
 BATAVIA, IL. 60510
 PH: 630-584-7616
 FX: 630-584-3712

TITLE:
**515 90° ELECTRIC
 NOSE GEAR
 FIREWALL MOUNT**

515RSESP

REV -