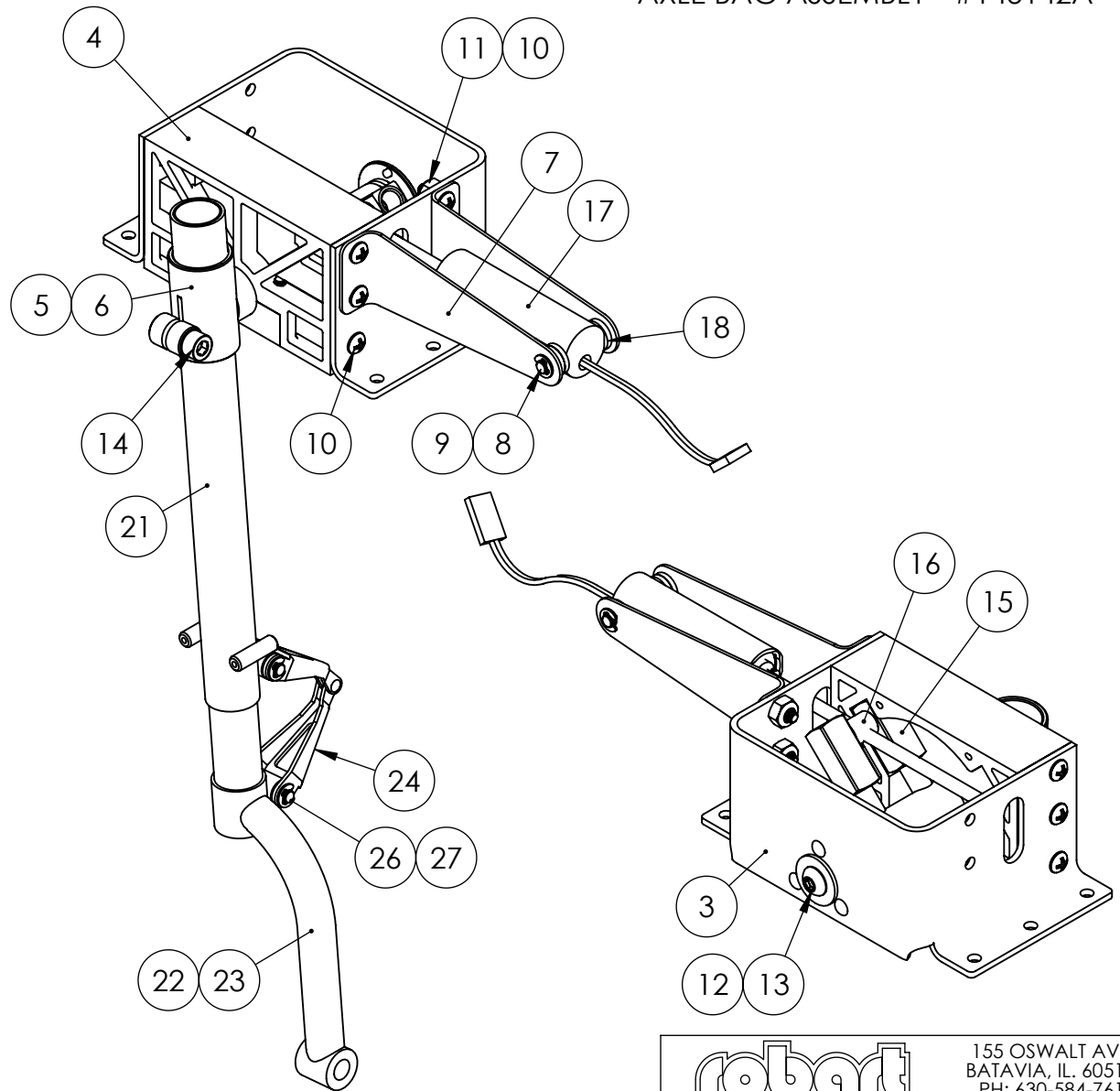


## SPARE PARTS LIST

QTY.	ITEM NO.	DESCRIPTION	PART NUMBER
1	1	ELEC. RETRACT ASSEMBLY (RH)	145164A
1	2	ELEC. RETRACT ASSEMBLY (LH)	145165A
1	3	FRAME ASSEMBLY	145152A
1	4	HOUSING ASSEMBLY	145110A
1	5	TRUNION - RH	145162A
1	6	TRUNION - LH	145163A
2	7	CYLINDER BRACKET	145112M
1	8	CYLINDER CLEVIS PIN	150540M
2	9	E-CLIP	1039F
8	10	#6-32 X 3/8" PHMS	1071F
2	11	#6-32 LOCK NUT	1041F
1	12	#10 FLAT WASHER	1075F
1	13	#10-32 BHCS	1021F
1	14	#10-32 X 1/2 SHCS	1072F
2	15	CAM BLOCK	145E020M
1	16	LINKAGE BARREL	620029M
1	17	ELECTRIC ACTUATOR	145E532A
3	18	NYLON SPACER - BLACK	1203F
1	19	STRUT ASSEMBLY (RH)	145105A
1	20	STRUT ASSEMBLY (LH)	145106A
1	21	UPPER STRUT WELDMENT	145123A
1	22	OLEO RAM WELDMENT (LH)	145124A
1	23	OLEO RAM WELDMENT (RH)	145125A
1	24	TORQUE LINK ASSEMBLY	150107A
1	25	COMPRESSION SPRING	150019P
2	26	CLEVIS PIN	150002M
2	27	E-CLIP	1039F
1	28	WOOD PLUG	145001M

## AXLE BAG ASSEMBLY - #145142A



155 OSWALT AVE.  
BATAVIA, IL. 60510  
PH: 630-584-7616  
FX: 630-584-3712

TITLE: **ELEC. MAIN GEAR  
145-5E  
(RH SHOWN)**

**145-5ESP**

REV -

906-414M

**PROPRIETARY AND CONFIDENTIAL**

THE INFORMATION CONTAINED IN THIS DRAWING IS THE SOLE PROPERTY OF ROBART MANUFACTURING. ANY REPRODUCTION IN PART OR AS A WHOLE WITHOUT THE WRITTEN PERMISSION OF ROBART MANUFACTURING IS PROHIBITED.

	NAME	DATE
DRAWN	J.REHAK	19MAR13
CHECKED		