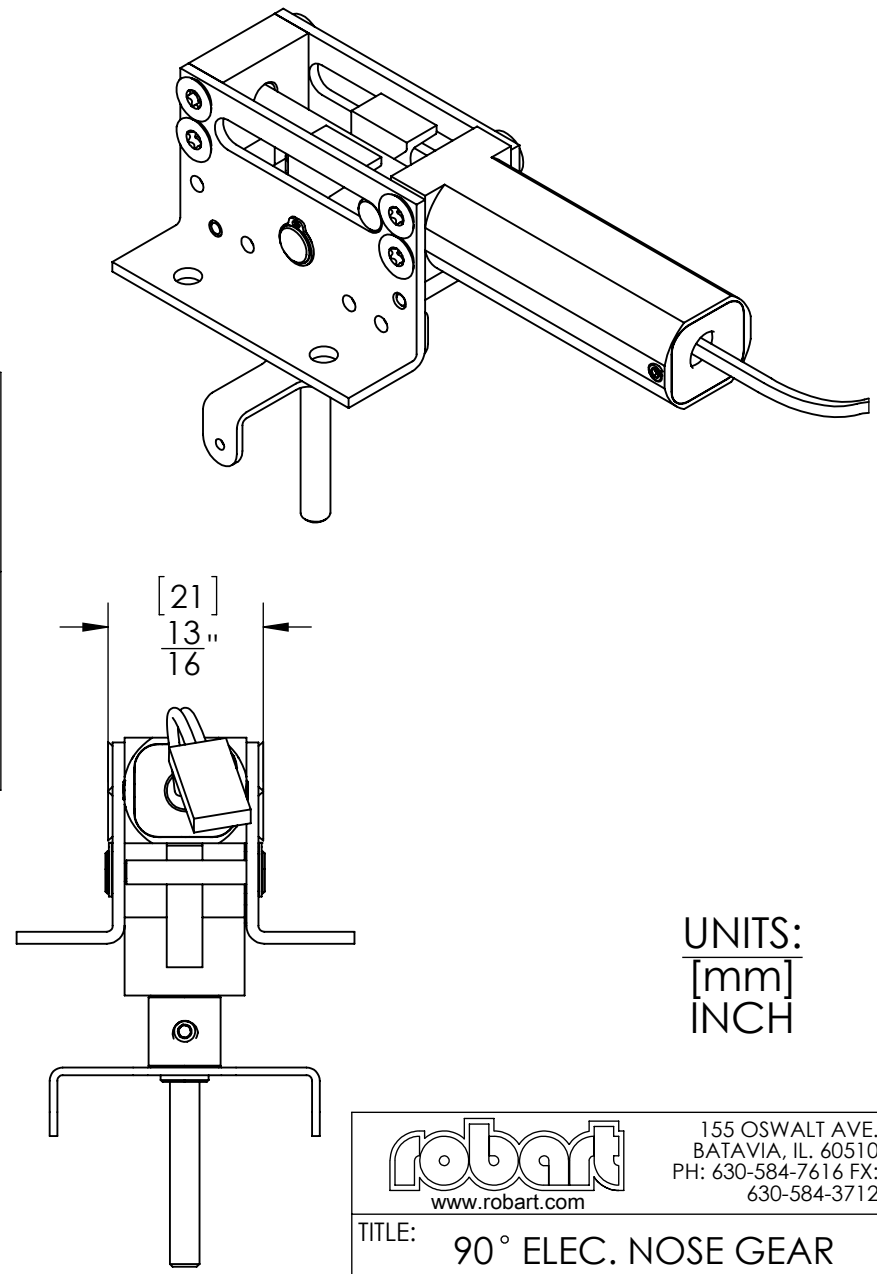


LEADS OMITTED FOR CLARITY



UNITS:
[mm]
INCH



155 OSWALT AVE.
BATAVIA, IL. 60510
PH: 630-584-7616 FX:
630-584-3712

TITLE: 90° ELEC. NOSE GEAR
3/8" ROBOSTRUT READY
590 PROGRESSIVE SERIES

PROPRIETARY AND CONFIDENTIAL
THE INFORMATION CONTAINED IN THIS DRAWING IS THE SOLE PROPERTY OF ROBERT MANUFACTURING. ANY REPRODUCTION IN PART OR AS A WHOLE WITHOUT THE WRITTEN PERMISSION OF ROBERT MANUFACTURING IS PROHIBITED.

	NAME	DATE
DRAWN	J.REHAK	24MAY12
CHECKED		

592E DIM

REV -