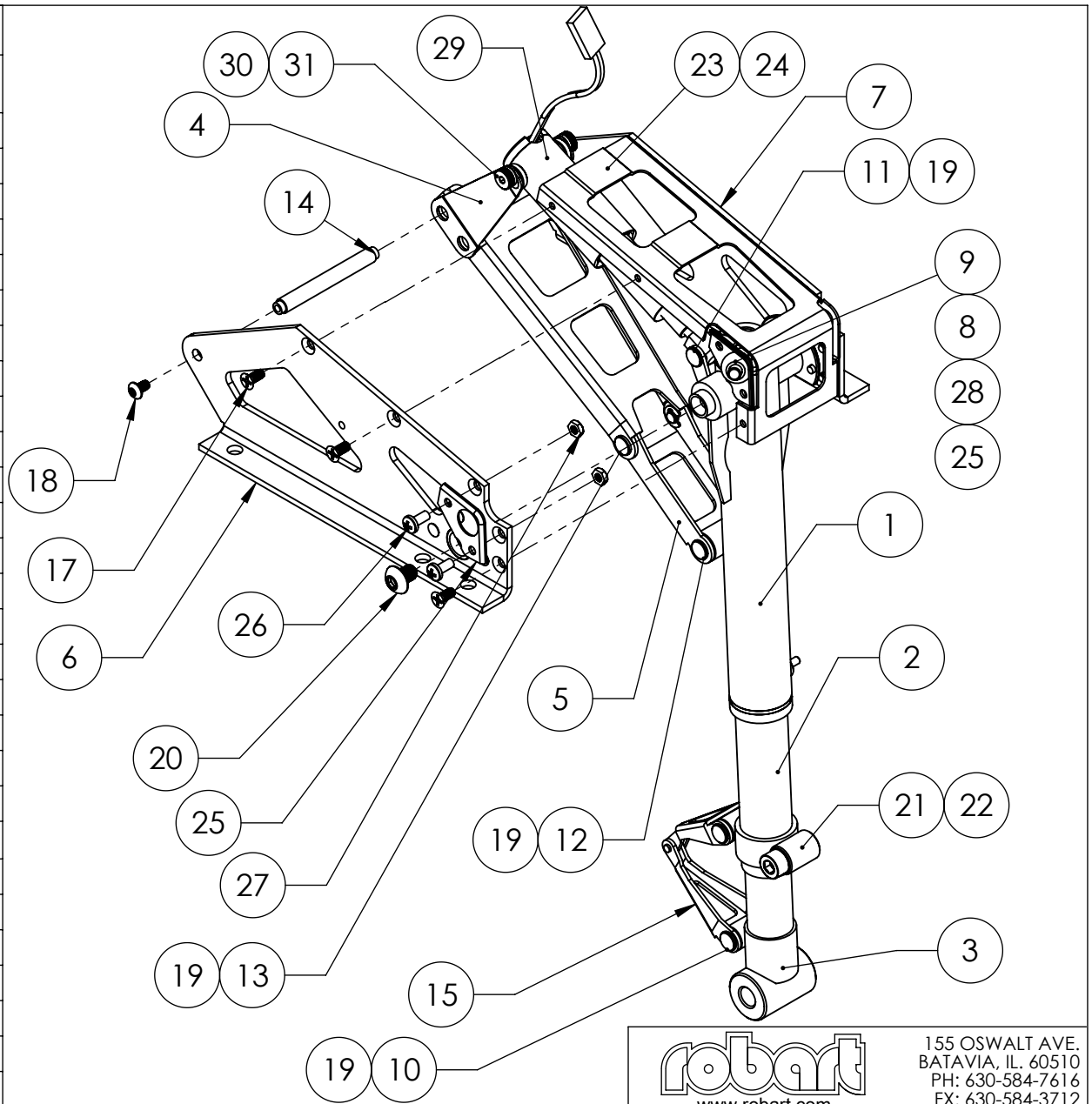


## SPARE PARTS LIST

QTY.	ITEM NO.	DESCRIPTION	PART NUMBER
1	1	TRUNION ASSEMBLY	150504A
1	2	ROTATION STRUT	150505A
1	3	OLEO RAM WELDMENT	151106A
1	4	LIFT YOKE ASSEMBLY	150105A
1	5	LOWER LIFT LINK - 90 DEG	150028M
1	6	SIDE FRAME ASSEMBLY (RH)	150507A
1	7	SIDE FRAME ASSEMBLY (LH)	150508A
1	8	CAM FOLLOWER	150106A
1	9	CAM BALL	150032M
3	10	CLEVIS PIN	150002M
1	11	CLEVIS PIN	150018M
1	12	CLEVIS PIN	150010M
2	13	CLEVIS PIN	150033M
1	14	LIFT YOKE PIVOT PIN	150004M
1	15	TORQUE LINK ASSEMBLY	150107A
1	16	COMPRESSION SPRING	151019P
8	17	#4 X 1/4 PFHMS	1026F
2	18	#4-40 x 3/16" BHSMS	1022F
7	19	E-CLIP	1039F
2	20	#10-32 X 1/4 BHCS	1021F
1	21	ADJ. TORQUE LINK MOUNT-RH	150112A
1	22	ADJ. TORQUE LINK MOUNT-LH	150113A
1	23	SPACER BRACKET-LH	150051M
1	24	SPACER BRACKET-RH	150050M
1	25	CAM FRAME - LH	150049M
2	26	#4-40 X 1/4" BHMS	1047F
2	27	#4-40 HEX NUT	1035F
1	28	CAM FRAME - RH	150047M
1	29	150E SERIES ACTUATOR	150E108A
2	30	ACTUATOR SPACER	148E009M
2	31	#4-40 SHOULDER BOLT	1201F



AXLE BAG ASSEMBLY - #145142A



155 OSWALT AVE.  
BATAVIA, IL. 60510  
PH: 630-584-7616  
FX: 630-584-3712

TITLE: **HEAVY DUTY 9"  
STRAIGHT STRUT 150  
ELECTRIC RETRACT**

**150HD9ESP**

REV -

**PROPRIETARY AND CONFIDENTIAL**

THE INFORMATION CONTAINED IN THIS DRAWING IS THE SOLE PROPERTY OF ROBART MANUFACTURING. ANY REPRODUCTION IN PART OR AS A WHOLE WITHOUT THE WRITTEN PERMISSION OF ROBART MANUFACTURING IS PROHIBITED.

	NAME	DATE
DRAWN	J. REHAK	04FEB14
CHECKED		