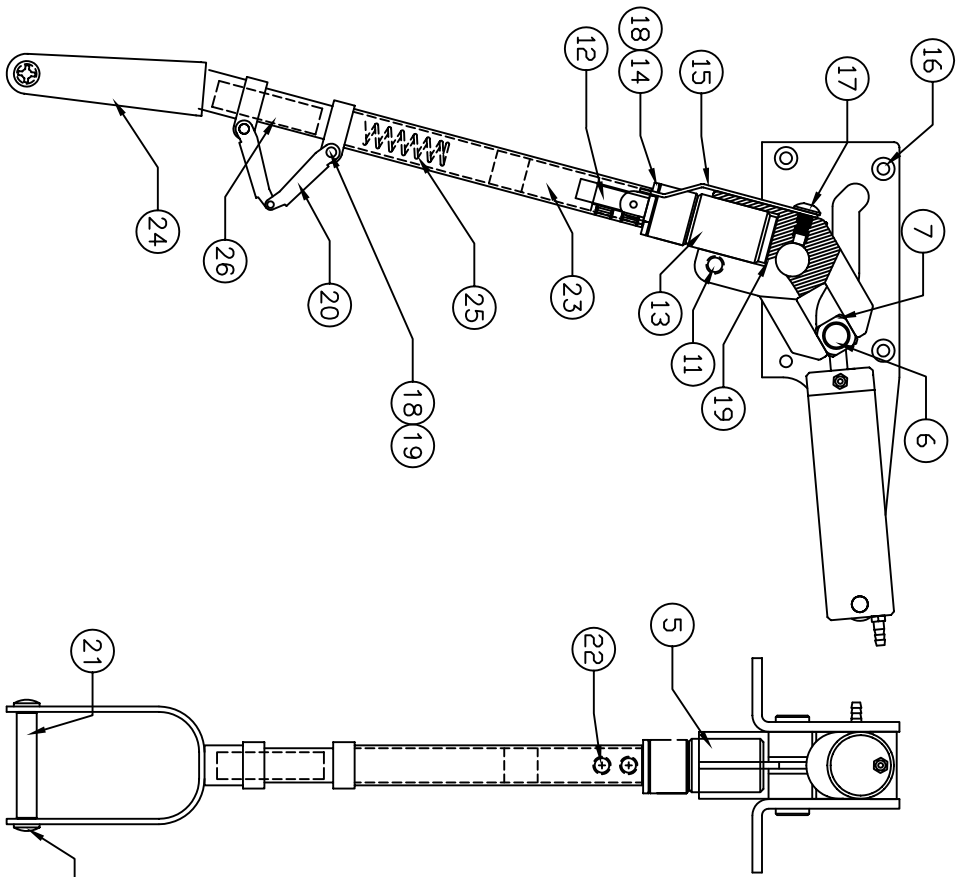
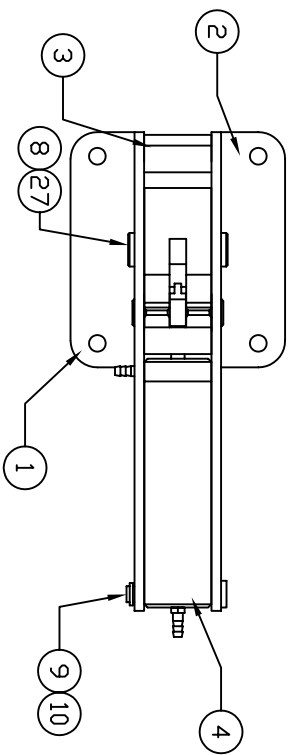
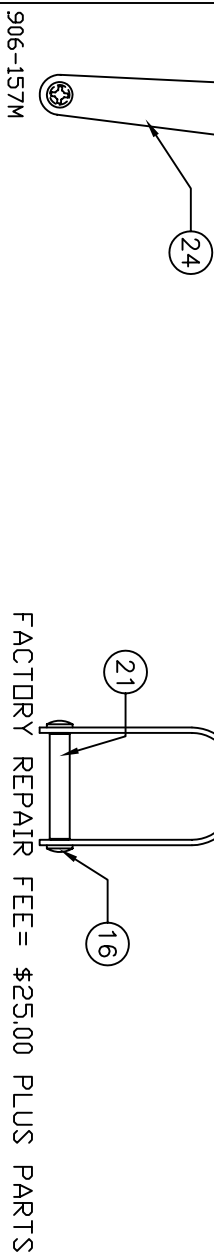


** THIS IS YOUR SPARE PARTS LIST. SAVE FOR FUTURE REFERENCE, ORDER BY PART NUMBER. CURRENT PRICES WILL BE QUOTED.**



SPARE PARTS LIST

QTY	ITEM	DESCRIPTION	ASS'Y/PART #
1	1	SIDE FRAME (LH)	630-017M
1	2	SIDE FRAME (RH)	630-018M
3	3	FRAME SPACER	630-005M
1	4	CYLINDER ASSEMBLY	630-102A
1	5	TRUNION	630-003M
1	6	CAM PIN	630-012M
2	7	CAM FOLLOWER	630-011M
1	8	PIVOT PIN	630-333M
1	9	CLEVIS PIN	150-012M
1	10	RETAINING RING	1039F
1	11	CLAMP SCREW	1110F
1	12	STEERING SHAFT ASSEMBLY	630-107A
1	13	STEERING SHAFT BEARING	630-025M
1	14	STEERING ARM ASSEMBLY	630-108A
1	15	STEERING SPRING	630-021M
8	16	#4-40 x 1/4" PPHMS	1047F
1	17	#8-32 x 1/4" BHCS	1133F
2	18	CLEVIS PIN	650-014M
2	19	E-RING 3/32	1062F
1	20	TORQUE LINK ASSEMBLY	650-003A
1	21	AXLE	160-020M
2	22	#8-32 x 3/16 SET SCREW	1060F
1	23	UPPER STRUT TUBE	P39-202A
1	24	OLEO RAM ASSEMBLY	P39-203A
1	25	SPRING	650-038P
1	26	WOOD PLUG 1" LONG	654-004M
2	27	SNAP RING	1132F



CHK'D BY _____

DRAWN BY J. REHAK

DATE 6-14-02

MODEL No. 640P39

TITLE 105° PNEUMATIC NOSE GEAR
RETRACT MECHANISM
FDR TOP FLITE P-39

MFG. INC.
625 N. 12TH ST.
ST. CHARLES, IL
(630)584-7616

www.robart.com

906-157M

FACTORY REPAIR FEE= \$25.00 PLUS PARTS