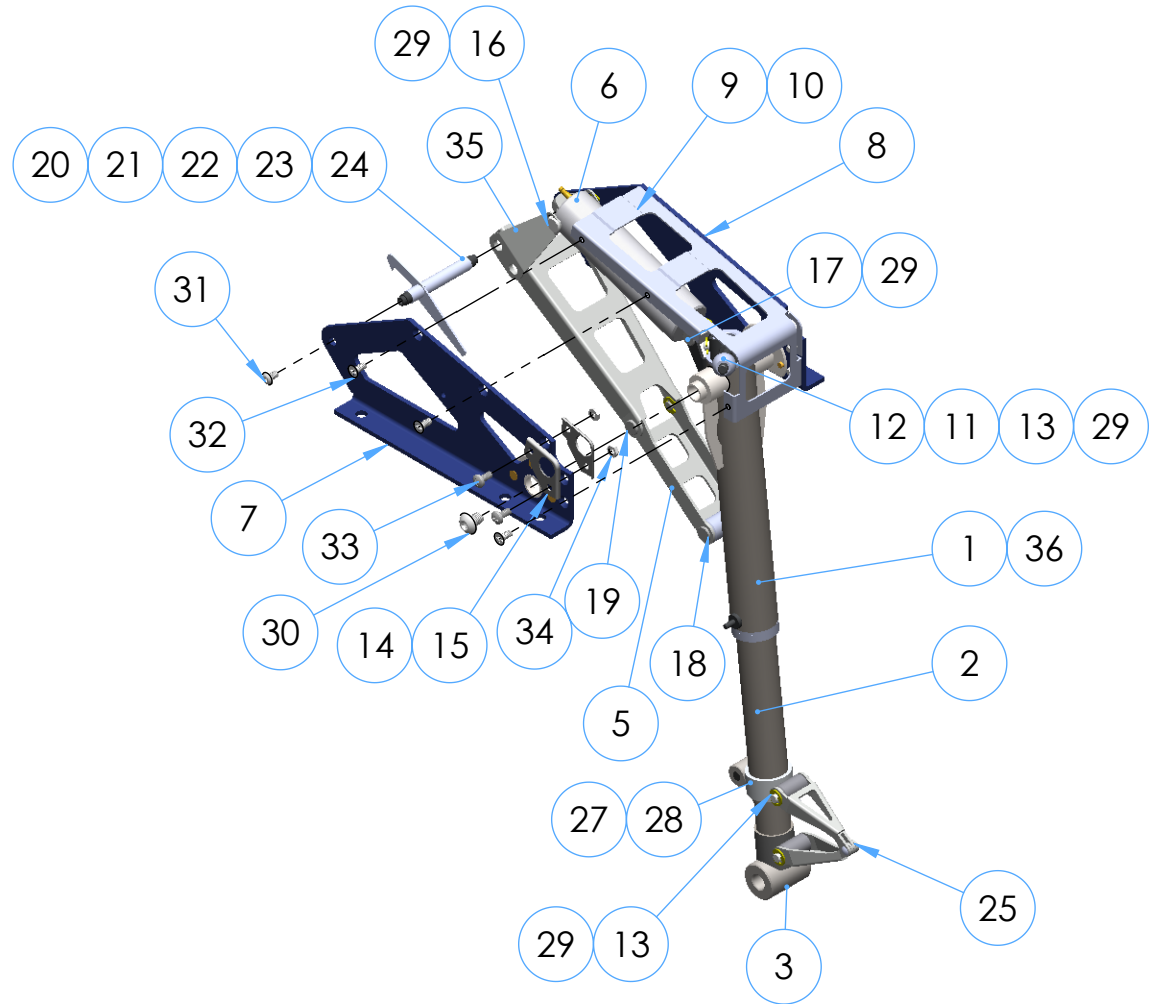


SPARE PARTS LIST			
QTY.	ITEM	DESCRIPTION	PART #
1	1	TRUNION ASSEMBLY	150509A
1	2	ROTATION STRUT - RH	150506A
1	3	OLEO RAM WELDMENT	151106A
1	5	100 DEG LOWER LIFT LINK	150031M
1	6	CYLINDER ASSEMBLY	150108A
1	7	SIDE FRAME (RH)	150507A
1	8	SIDE FRAME (LH)	150508A
1	9	SPACER BRACKET-RH	150050M
1	10	SPACER BRACKET-LH	150051M
1	11	CAM FOLLOWER	150106A
1	12	CAM BALL	150032M
3	13	CLEVIS PIN	150002M
1	14	CAM FRAME-RH	150047M
1	15	CAM FRAME-LH	150049M
1	16	CYLINDER CLEVIS PIN	150012M
1	17	CLEVIS PIN	150018M
1	18	CLEVIS PIN	150010M
2	19	CLEVIS PIN	150033M
1	20	LIFT YOKE PIVOT PIN	150004M
1	21	LATCH SPACER	150001M
1	22	LATCH SPACER	150005M
1	23	LATCH PAWL	150003MP
1	24	LATCH SPRING	102008M
1	25	TORQUE LINK ASSEMBLY	150107A
1	27	ADJ. TORQUE LINK MOUNT-RH	150112A
1	28	ADJ. TORQUE LINK MOUNT-LH	150113A
8	29	E-CLIP	1039F
2	30	#10-32 X 1/4 BHCS	1021F
2	31	#4-40 x 3/16" BHSMS	1022F
8	32	#4 X 1/4 PFHMS	1026F
2	33	#4-40 X 1/4" BHMS	1047F
2	34	#4-40 HEX NUT	1035F
1	35	LIFT YOKE ASSEMBLY	150105A
1	36	COMPRESSION SPRING	151019P



AXLE BAG ASSEMBLY - #145142A

**PROPRIETARY AND CONFIDENTIAL**  
 THE INFORMATION CONTAINED IN THIS DRAWING IS THE SOLE PROPERTY OF ROBART MANUFACTURING. ANY REPRODUCTION IN PART OR AS A WHOLE WITHOUT THE WRITTEN PERMISSION OF ROBART MANUFACTURING IS PROHIBITED.

	NAME	DATE
DRAWN	N.MARC	15NOV13
CHECKED		



155 OSWALT AVE.  
 BATAVIA, IL. 60510  
 PH: 630-584-7616  
 FX: 630-584-3712

TITLE:

100° HEAVY DUTY  
 ROTATING RETRACTS

150ZF6FSP

REV -